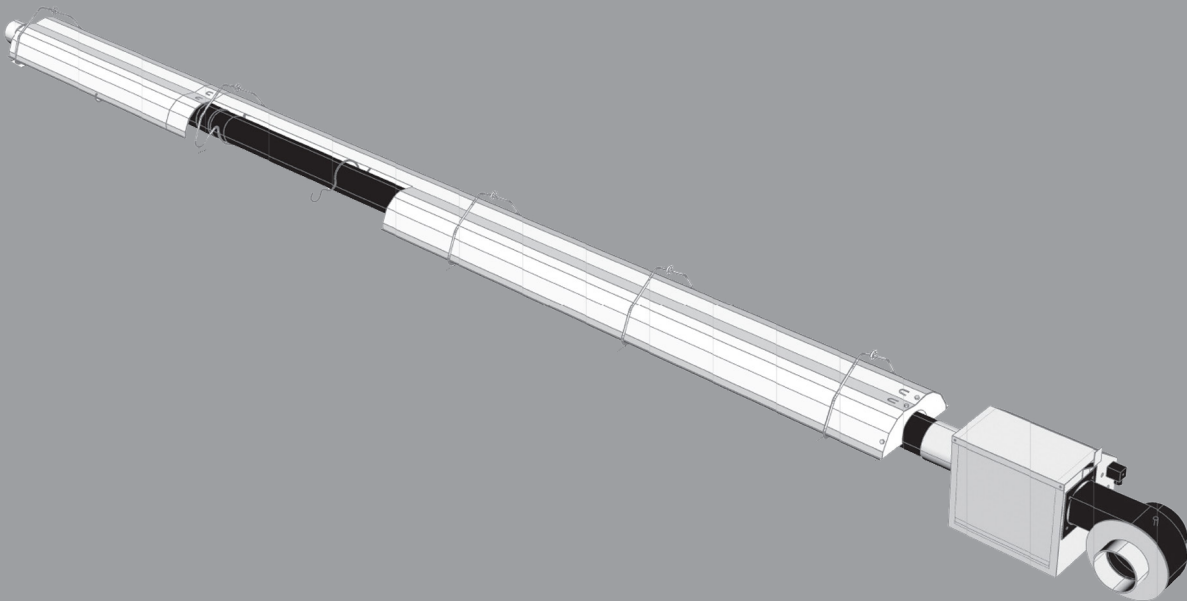




INSTRUCTIONS FOR INSTALLATION AND SERVICING

**PROPANE OR NATURAL GAS-FIRED
ZENIT-TYPE TUBE RADIANT HEATER**



Appliance types:

ZENIT-12...58kW

Linear - and “U” - form types.

008_001-003_011_191011_V003_EN

Contents

1. SAFETY INFORMATION	4
2. GENERAL INSTRUCTION	5
Installer's responsibilities	5
Data board	5
Corrosive materials	6
Standards and laws	6
Safety signs	6
Safe usage	6
3. TRANSPORTATION, UNPACKING, HANDLING	7
4. OPERATION PRINCIPLE	7
5. INSTALLATION	8
Components of „I” -form tube radiant heater, assembly distances	8
Components of „U” -form tube radiant heater, assembly distances	8
Assembly	9
Appliance installation	12
Gas connection	12
Electrical connection	13
Electrical wiring	13
Regulatory options	13
Electrical connection scheme of HONEYWELL S4965R type automatic burner control	13
electrical connection	14
Electrical wiring of burner when the appliance has SIT control box.....	16
Control of appliance	20
Modulation Zenit SIT with SIT control box	21
Modulation control.....	23
Optional accessories.....	24
Protective distances.....	24
Combustion-air supply	27
6. EXHAUST SYSTEM POSSIBILITIES	27
Exhaust out taking +combustion air intaking.....	29
7. APPLIANCE OPERATION	31
8. APPLIANCE SPECIFICATION	31
Start, restart	31
Operation of automatic burner control (HONEYWELL S4965R typ).....	31
Operation of automatic burner control (SIT 579 DBC).....	32

9. MAINTANCE	33
Check at the beginning of season.....	33
Maintenances.....	33
Maintenance supervisions by a qualified service department.....	34
Gas change.....	34
10. TROUBLESHOOTING	35
11. ENCLOSURE	36
Enclosure 1.: Variety-list of ZENIT-type tube radiant heaters	36
Enclosure 2.: Heating and consumption values of ZENIT-type tube radiant heaters.....	37
Enclosure 3.: Heating and consumption values of ZENIT-type tube radiant heaters	
(ON-50%-OFF (3point); ON-50%...100%-OFF (modulation)).....	38
ECO-Design Declaration of Conformity	39

1. SAFETY INFORMATION



Read and understand this manual thoroughly before installing starting or servicing this equipment. The improper installation or using can cause serious damages! Keep this manual in a safe place in order to obtain information in case of incidental problems!

GENERAL SAFETY NOTICES

Disregard of instructions and notices of this Manual can cause serious bodily injuries or damages as follows: burning, explosion, suffocation, carbon monoxide poisoning, electric shock and in extreme case death!



This appliance can only be used and serviced by such persons who understood and follow the instructions of this Manual

If you need help or information concerning the appliances – for example installation guide or labels etc. – in that case contact with the manufacturer!

This appliance must not be used by children and mentally or sensitively deficient persons! Take care that the children do not handle it and do not play with devices!



ATTENTION! Fire, burning, inhalation and explosion hazard! Keep all flammable objects as follows building materials, papers, or carton unites away from heater according to the instructions! Never use this appliance in such rooms where there are flammable volatile materials or the following materials, which can get into the device: petrol, solvent, thinner, fine grained dusty or unknown chemical materials!



ATTENTION! This appliance can not be used in domestic circumstances or mobile home!



ATTENTION! For your safety, if you smell gas do the followings:

- **Open windows.**
- **Do not try to light any appliance.**
- **Do not use electrical switches.**
- **Do not use any telephone in your building.**
- **Leave the building.**
- **Immediately call your local gas supplier after leaving the building. Follow the gas supplier's instructions.**
- **If you cannot reach your gas supplier, call the Fire Department.**

The ZENIT-type tube radiant heater appliances have been developed and certified in compliance with EN 416 standard and qualified for heating of industrial rooms! The function of these heater appliances to ensure heating of appointed workplace temporarily or continuously! In case of proper using the appliance guarantees safety and energy-saving operation! The combustion products issued during combustion process leave through the flue system into the open air. In case of further possible questions regarding the applicability please turn to the local Fire Protection Office!

Other standards can give you directions in terms of proper using of natural and propan gas as follows: leading/piping, storing etc.! Concerning the detailed content of these standards the local Bureau of Standards can help.

Carbon- monoxide poisoning: The initial symptoms of carbon-monoxide poisoning are similar to influenza namely headache, dizziness and/or nausea! If these symptoms are observed in that case the appliance probably does not work satisfactorily! First of all go fresh air, ventilate the rooms and have the appliance investigated!

Propan-gas:The propan-gasis odorless! Mercaptan-derivative as scented component is mixed into the gas to be able to observe the possible escape! In spite of the typical smell is not felt the propan gas can be present in the environmental air in case of escaping!

2. GENERAL INSTRUCTION


- Make sure that read and understood all the warnings, correct keeping of which can guarantee the safety and faultless operation !
- During the installation be always circumspect! Follow the valid instructions and recommendations!
- The appliance can be operated by specified voltage and frequency marked on its data board! The electrical connections and groundings are prepared as per MSZ EN 60335 standard!
- Electrical grounding specification: present appliance is equipped with three points grounding connection in the interests of your protection!
- It needed to ensure the sufficient quantity of combustion air if the appliance is installed without outside air supply!
- Keep away the device from the following strong effects: wind, high pressure water jet, rain or dropping water!
- The appliance must not be used in the open air!
- The application of device is STRICTLY PROHIBITED in such rooms, which are used for sleep or continuous stay!
- Keep away the flammable materials from the appliance and its near environment as follows: fuels, thinner or other flammable fluids and vapours!
- In the interests of avoiding of dust explosion do not used the device in such rooms where the degree of dust concentration is high if the device is installed without outside air supply!
- Before starting of appliance in every case check it in order to detect the possible damages! Never use damaged equipment!
- In case of Propan-gas operation never install the device in basement or from that lower being rooms! The propan-gas is heavier specific gravity than the air for this reason in case of possible escaping it will spread towards the lower located rooms !
- Only use that kind of flexible gas pipe and pressure regulator, which is offered for the appliance by the manufacturer!
- Before every starting of heater appliance check the condition of connecting gas hose and if it is particularly worn or damaged in that case exchange it for a new one specified by manufacturer!
- Preserve the equipment in genuine condition, do not leave it to grow old!
- Do not use seriously aged equipment any longer!
- Fix the appliance on such stable surface, which during operation despite warming of appliance preserves its stability !
- If the appliance is put out of use in every case it must be cut off the current and gas!
- Never block the air supply and exhaust pipes!
- Keep away the children and animals from the equipment!
- Never service/mend such devices, which are hot and during operation or electrical charged!
- Never mount such air duct unit on front or back side of device, which is not approved by manufacturer!
- Use exclusively genuine-approved by manufacturer-spare parts, do not install similar quality spare parts for substitution! These kind of substitute parts can cause serious damages concerning the operation of appliance!
- Fix the appliance on such stable surface, which during operation despite warming of appliance preserves its stability !
- If the appliance is put out of use in every case it must be cut off the current and gas!
- Never block the air supply and exhaust pipes!
- Keep away the children and animals from the equipment!
- Never service/mend such devices, which are hot and during operation or electrical charged!
- Never mount such air duct unit on front or back side of device, which is not approved by manufacturer!
- Use exclusively genuine-approved by manufacturer-spare parts, do not install similar quality spare parts for substitution! These kind of substitute parts can cause serious damages concerning the operation of appliance!

INSTALLER'S RESPONSIBILITIES

- making up of gas and electrical connection in compliance with the specifications (it is proposed to connect with the local Building Supervisory Authority or Fire-service),
- installation of equipment in accordance with the definitions of this manual,
- installation according to the fire prevention rules,
- supply of the necessary materials/components for installation(which are not belong to appliance),
- planing of air duct systems (ventilation/connections)
- service execution,
- placing the copy of present manual at owner's disposal,
- assuring of sufficient air circulation around the appliance,
- determination and assuring of needed air for burning, ventilation and blowing in according to the specifications.

DATA BOARD

The appliance is equipped with data board, which is placed on outside of device's door. On this data board there are information concerning the type of device, gas type, electrical connection and flue types.

Manufacturer PAKOLE Trade Kft. 8000 Székesfehérvár, Börgöndi út 8-10.	Type ZENIT-32/L		 1008 14 PIN: 1008 CP 2745
	Nominal input:	32 kW	
Electrical connection:	AC 230V 50Hz		CE 1008 14 PIN: 1008 CP 2745
Max.current entry:	0,45 A		
Flue system	B23, C13, C33, C53		1008 CP 2745 Date/place of production 2017.10.21.
Series number:	20-2904-00001		
Gas type:	Naturalgas		1008 CP 2745 Date/place of production 2017.10.21.
	Targeted country:	GB	
	NOx	4	

1. picture: Data board

CORROSIVE MATERIALS

ATTENTION! Do not use the appliance in such place where corrosive materials can be in the air! If the appliance has to be applied in this circumstances outside air has to be ensured for combustion air!

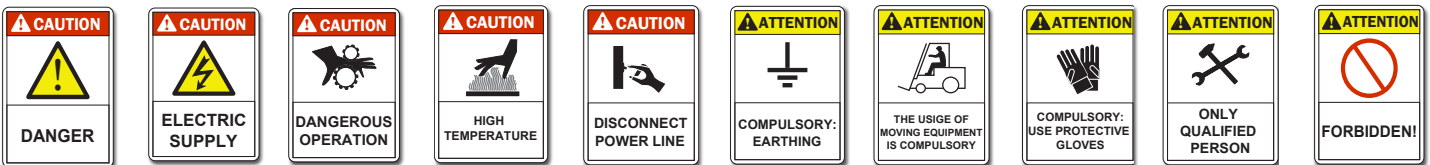
The manufacturer can not assume responsibility for fault of equipment in case the installation is not happened according to the above. This responsibility concerns completely the installer. In order to avoid such eventualities, if it is not certain to fit to the building or activity, ask our colleague for help

Both the owner and the installer have to identify every possible material, which can be present in the building (inflammable materials, corrosive materials, halo hydrocarbons etc.), and with knowledge of these materials must be planed the heater system!

STANDARDS AND LAWS

Every appliance installation must be satisfied the valid laws and standards. These laws refer to the gas and electrical installation respectively the ventilation (special specifications refer to park houses, airplane hangars etc).

SAFETY SIGNS



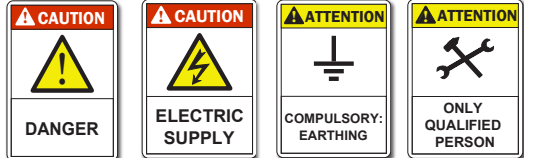
SAFE USAGE



Please observe the following rules during installation, first set-up, usage or maintance:

- Installation must be carried out always strictly complying with the current standards of the country where the appliance is going to be used and following, of course, the instructions given by the producer.
- The installation and maintenance operations of the unit can be carried out by qualified and trained personnel only.

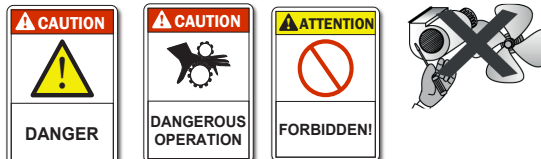
Qualified service engineers are those having specific technical experience and/or valid license in the field of heating and cooling installation for home and industry. In any case, call the Manufacturer office or the closest dealer (www.pakole.com) and ask for further informations.



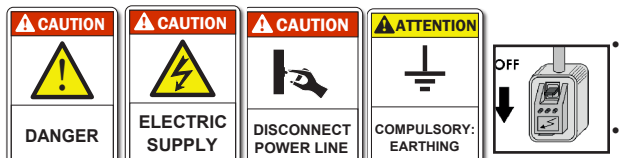
- According to the installation project, install the electric power lines.
- Always make sure that the unit and all its electrical parts have been correctly earthed prior starting up the unit.



- If you have to disassemble the unit, use special protective gloves.
- Beware of sharp edges inside the unit!
- Beware of roof corners of outdoor units!
- Keep suction grids always clear!



- Before cleaning or maintaining the unit, make sure that all electrical parts have been switched off, the appliance gas supply chain is closed and wait until the appliance cools down. In particular, make sure that the fan is off and cannot be inadvertently started prior to opening inspection panels.
- Fans can reach a speed of 1000 rpm. Do not insert any object nor hands in the electric fan.



- We recommend to install a safety switch which can be easily reached to cut off the current, near the unit. Before any cleaning and servicing operation, cut off the power line to the unit.
- Before opening the unit, make sure that all electrical parts have been switched off. In particular, make sure that the fan is off and cannot be inadvertently started prior to opening inspection panels.

CHECK THE EARTHING !!



- This unit is designed to be used for heating purposes only. Any different use is not allowed as it may be dangerous.
- Should the unit work in a house where disabled people and/or children live, it must be placed safely away from their reach. Always make sure that the access door to the inside control board stay locked.
- An incorrect installation can cause damages to people, animals and property. In case of erroneous installation, the manufacturer cannot be held responsible for such damages.
- **The manufacturer cannot be held responsible for such damages by improper uses, errate uses, etc.**



- Never use the unit to support other equipment.
- Never leave tools, spare parts, etc. inside the unit.
- Make sure that all inspection panels are closed properly.
- Do not expose the unit to inflammable gases.

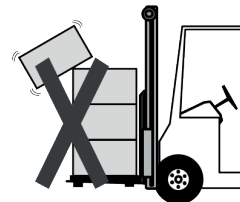


- In case of breakdown or failure: turn unit off, do not try to repair it on your own, call operator.
- If you are going to leave the heater switched off for a long time, first make sure that in no way this could cause harm to anyone in any way.

3. TRANSPORTATION, UNPACKING, HANDLING

- The delivery must be made according to the following:
 - The package must be carefully secured in the loading space.
 - The package must be transferred in a closed space (always keep packing parts away environmental impacts).
- The unit has a special safety packing for transport and delivery which must be kept in good conditions till the unit is positioned on the installation place.
- Make sure that the unit has all its parts, as specified in the order.
- Check if there are any damages and if the unit abbreviation is the same as the one of the ordered model.
- Every unit is factory tested before shipment, therefore, if there are damages, report them immediately to the carrier.

Transporting, unloading and moving is a process which must be made carefully to avoid any kind of damages. Try not to use the unit's components as hand holds. When lifting, bear in mind that the centre of gravity of the unit may be off-centre.



The appliances will be delivered in card board box. The unpacking process of the appliance:

- unload the burner the tubes and the accessories from the card board box.
- **do not remove the protection cap from the burners gas connection or from the gas joining set (optional) until You do not connect it to the pipe line.**
- Check the unit and its accessories for any damages which could be arise during the transportation.
- if there are any damages found, report them immediately to the manufacturer or your closest dealer.

There is an envelope inside the unit containing the Instructions for Installation and Servicing, User's Guide use and Guarantee and services and the warranty documents.

4. OPERATION PRINCIPLE

The appliance operates on the basis of radiant heating. The combustion products of burned up gas and air mixture flow through the thin-walled browned straight or „U“-form pipes and warm it up. The aluminium reflektor shields, which have the best reflecting ability radiant the made heat to the heated area.

Operation principle: the centrifugal fan of tube radiant heater draws in the combustion-air and pushes out the combustion products - made by burning up of gas and air mixture at the „pusher“ side of fan in the burner head – through the flue system into the open air.

The variety-list of appliances to be found in the **enclosure 1**.

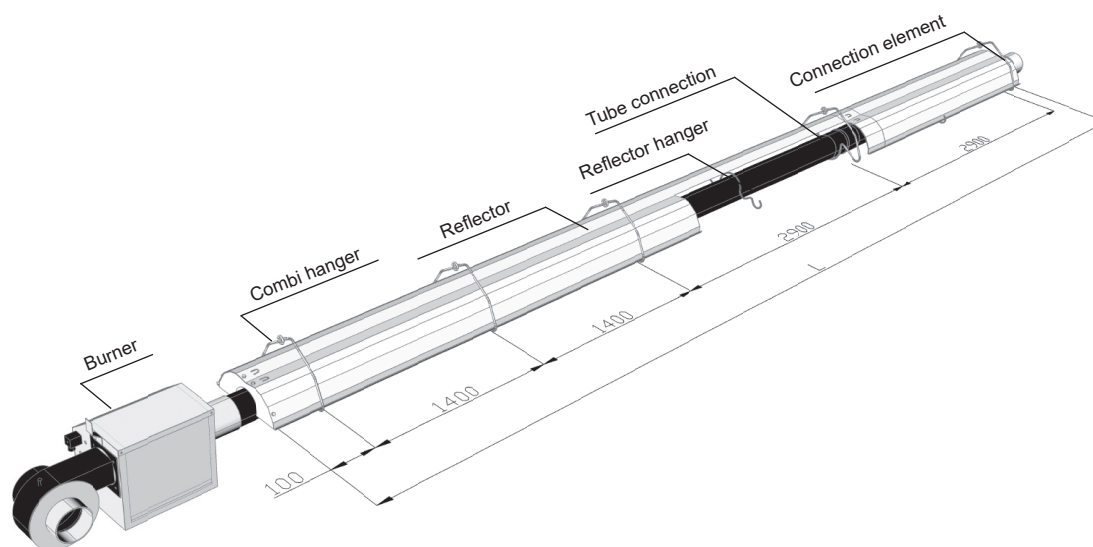
The heating and consumption values to be found in the **enclosure 2**. as per appliance and gas types.

The supply of combustion air of appliance can be realized in two ways:

- directly from the heated place
- from open air trough air duct, it can be used in case of such plants, which are working with dangerous materials as follows: painting workshops and workshops, which are using explosive or corrosive materials etc.

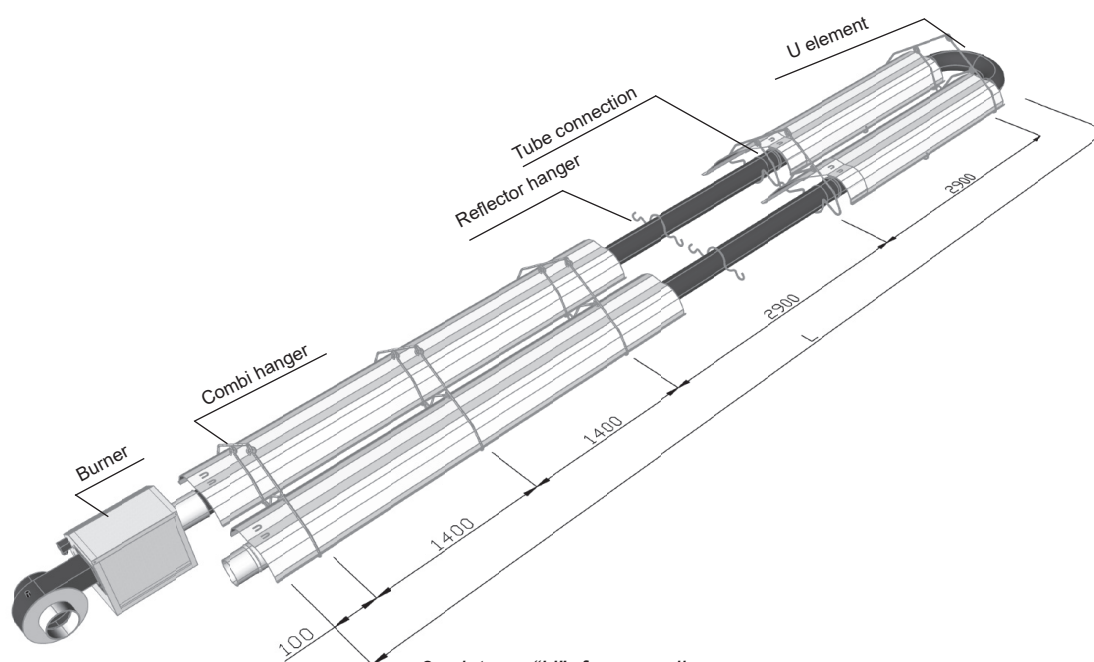
5. INSTALLATION

COMPONENTS OF „I”-FORM TUBE RADIANT HEATER, ASSEMBLY DISTANCES



2. picture: "I"-form appliance

COMPONENTS OF „U”-FORM TUBE RADIANT HEATER, ASSEMBLY DISTANCES



3. picture: "U"- form appliance

L-form tube radiant heater appliance: see fig. 2

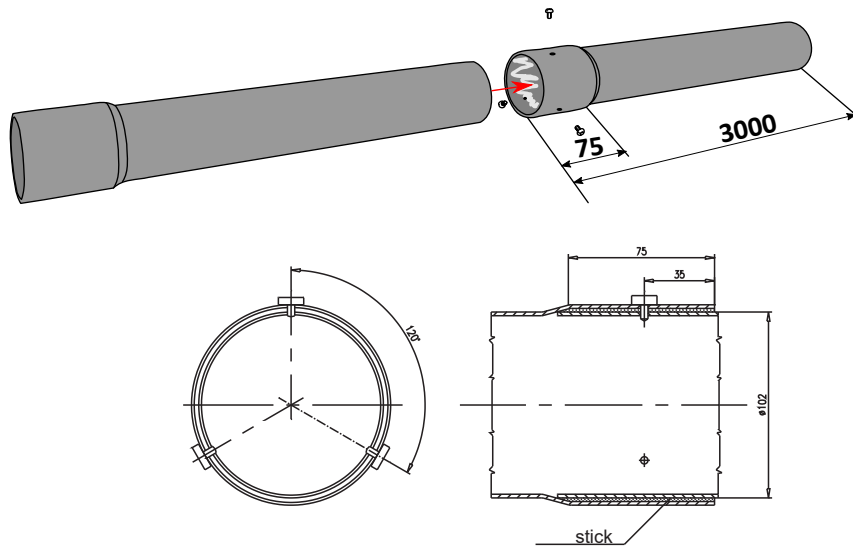
For 3m (total length) long appliances only 2 hangers should be placed 1800mm apart, and 700 mm far from the beginning of burner tube. During assembling of straight system the installation of 1 pc 90° elbow is allowed but it must be placed minimum 6m far from the burner.

„U”-form tube radiant heater appliance: see fig. 3

At the „U”-pipe appliance in case of non side-wall-placing execution – which is not suspended at an angle – the burner head can be installed into optional side of „U” pipe, just taking it into consideration that the turbulent unit be at the end of last tube before flue gas outlet.

ASSEMBLY

1. The piping system is completed by slipping the burner tube and radiant heat tubes into each other. The burner tube (the tube which is provided with clamp) is fixed to the burner. To this one connect all the radiant heat tubes.
2. Apply evenly the sealant/adhesive in the inner part of the expanded end of the tube you wish to connect. The sealant/adhesive must be applied in 80mm length, from the beginning of the expanded end of the tube.
3. Insert it to the not expanded end of the next radiant tube, and so on...
4. Then to secure it using 3 selfdrilling screws, 120° apart each other and never place it at the top, always at the bottom or at the sides.



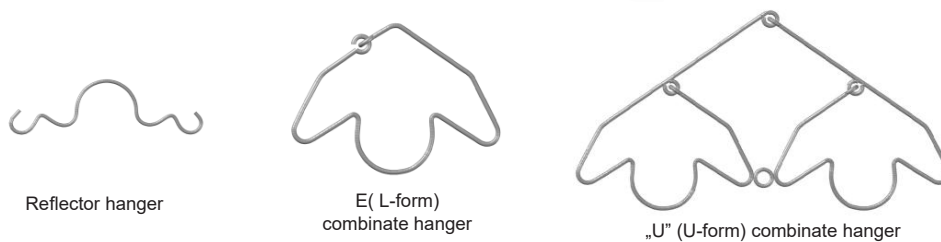
4. picture: Tubes join

5. Turbulator (bent plate) must be always placed in the last radiant heat tube, before flue gas outlet.



5. picture: Turbulator

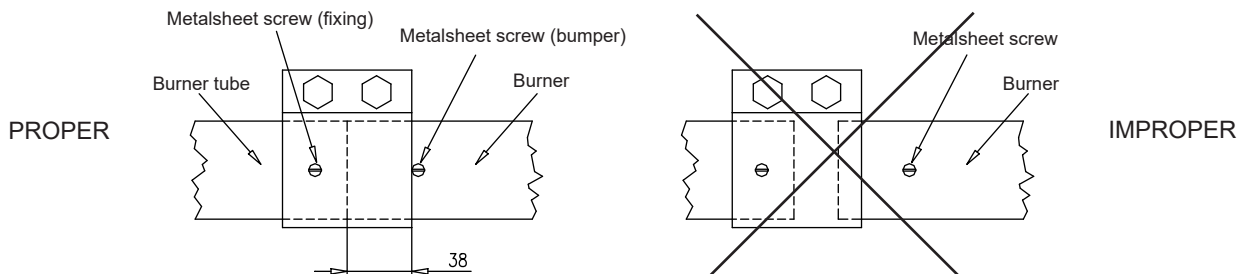
6. After the assembly of tubes, place combination hangers and reflector hangers at their position. Do not deviate from recommended positions by more than ±100mm the mounting of the hangers.



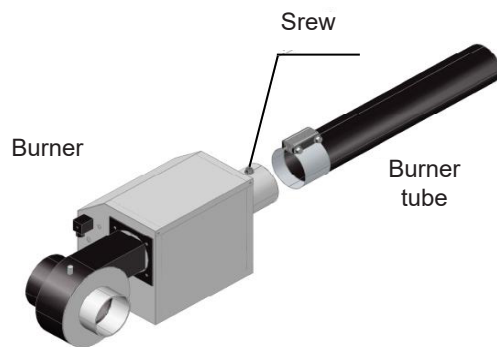
6. picture: Reflector executions

7. Place all reflectors at their positions and join them with a minimum 50 mm overlap. The joining with one another will be explained on the next pages!
8. Then connect burner into the burner tube, depending on execution.

Not expanded tubes with clamp-connection : The clamp is premounted on the burner tube on its corresponding position at the factory. The burner must be connected to the free end of the clamp, where the unexpanded tube part must be inserted until the bumper screw. After finishing the inserting process the screws must be tighten.



7. picture: Clamp connection

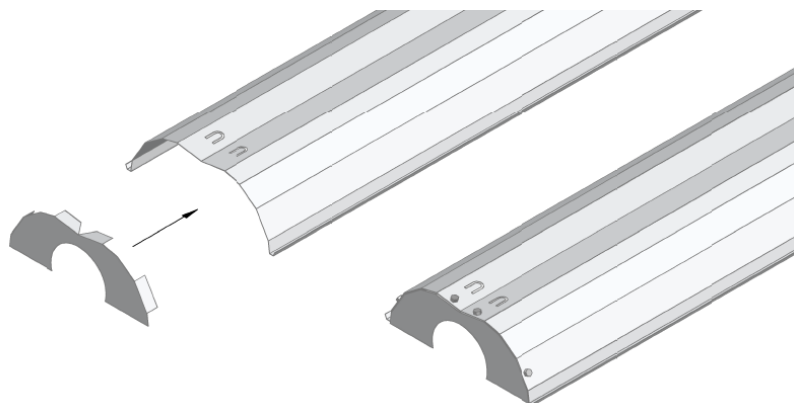


8.picture: Connection of burner tube to the burner

9. Connect the hanging chains and „S” hooks to the combinate hangers. Use tightening screws for precision of adjustment.

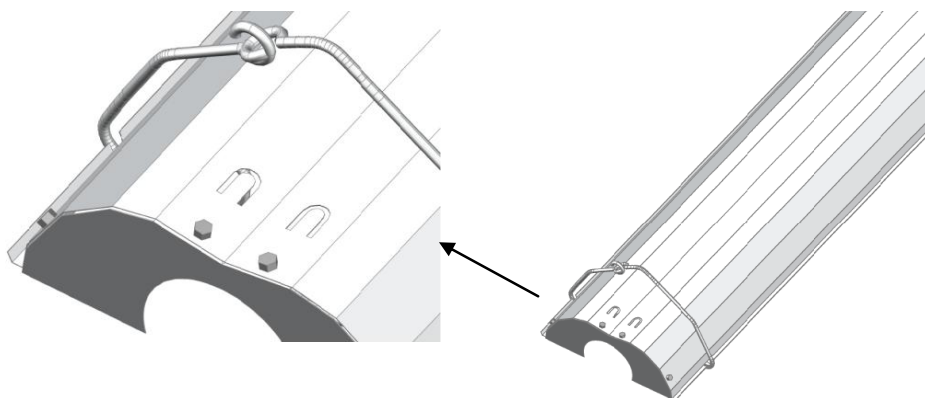
NOTE: To avoid accidental errors, it is practical to make assembly on the ground, then install the appliance to its final position. In case it is not possible because of the weight of appliance and the local conditions, then it is worth mounting it in several parts and making the last connections in mounted position.

Mounting the reflector closing element: This process must be made always on the first reflector after the burner. Fixing: Once the closing part was placed over the reflector fix it with two self-drilling screw on each side.



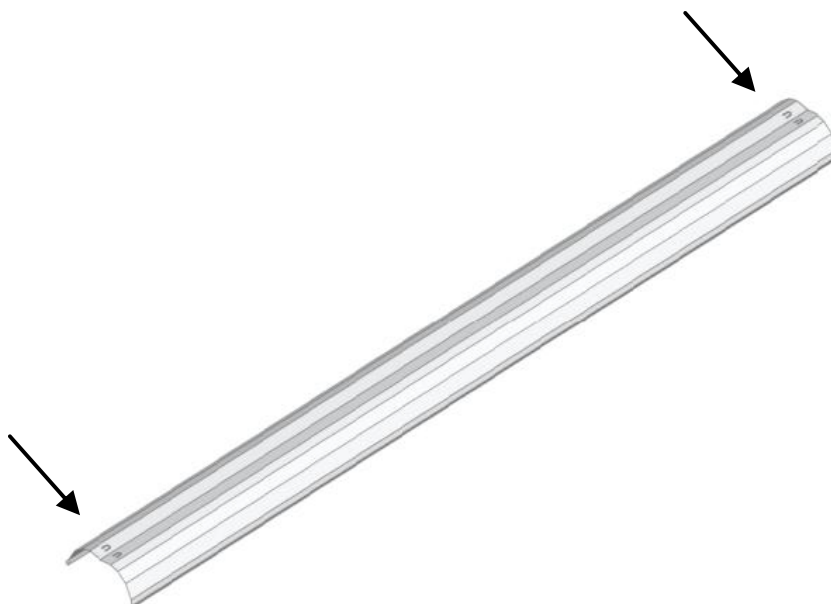
9.picture: Mounting of end plate

On both sides of the first reflector you need to make a small hole (approximately wide:10 mm, length: 15 mm) at the place of first combinate hanger to stop movement of the reflector.



10.picture: Mounting of combinate hanger

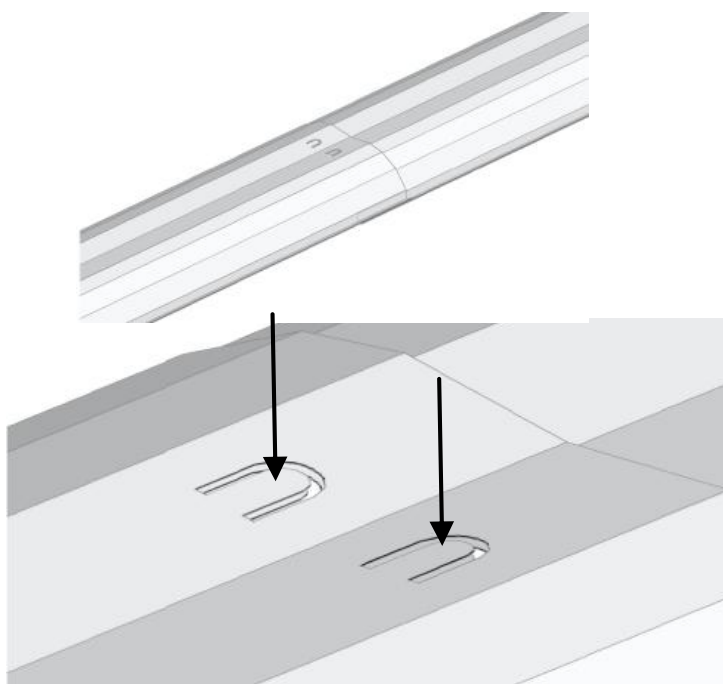
Every reflector has two two U-form 25 mm length cuttings from 50 mm the ends of it. These cuttings ensure the joining up of reflectors and slipping out of it.



11.picture: U-form cuttings at the end of reflectors

Fixing procedure of two reflectors:

1. Put one reflector on the top of another one in such a way that the U-form cuttings cover each other. See on the picture.
2. After that bend the fixer handle into direction of arrows so that the new position be at an angle of 90° compared to the original position.
3. At every join proceed accordingly.



12.picture: Joining up of reflectors

APPLIANCE INSTALLATION

- SOLELY INTERIOR installation is possible.
- The installation must comply with the valid standards.
- For the sake of appropriate efficiency the position and the high of installation has to be carefully defined.
- The appliance has to be placed in that way that its every part be accessible.

ATTENTION! Only a qualified person can install the appliances who participated in training which was organised by Pakole Trade Kft in every year. It is forbidden to install the device as an user.

GAS CONNECTION

ATTENTION! The appliance can only be operated by gas defined on the data board of appliance !

The nominal values of gas-supply pressure:

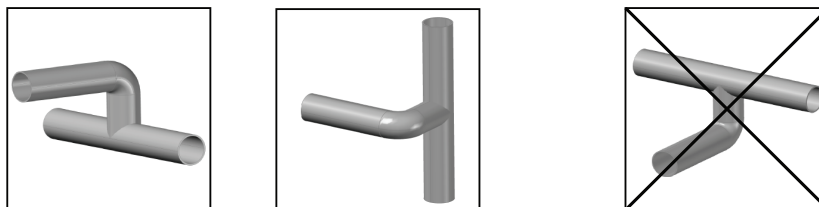
- in case of natural gas: 25 mbar (min. 20 mbar – max. 60 mbar)
- in case of Propan gas: 50 mbar

The allowed maximum pressure of gas-supply: 60 mbar!

ATTENTION! If the pressure of gas-supply is higher than 60 mbar in that case the using of pressure regulator is indispensable becuse the max. allowed pressure of double-closed magnetic valve is: $P_{max} = 60\text{mbar}$

The pressure regulator can be installed before each appliance or centrally namely one piece into the gas-supply pipe. In case of unique solution - namely there is pressure regulator before each appliance – before every pressure regulator, in case of centrally mounted pressure regulator before pressure regulator and each appliance **MUST BE INSTALLED GAS FILTER** to be able to avoid the blocking of appliance's gas magnetic valves, which can be caused by possible contamination settled in the supply pipes. (Despite blowing out of pipes it can be present)

The connection to the gas-supply pipe must be from above or side (Pic.13) becuse in case of bottom connection the possible contaminations settled on the pipe can influence the proper operation of equipment.



PROPER CONNECTION

IMPROPER CONNECTION

13. picture: Connection to the gas supply



14. picture: Attachment with flexible pipe
(option, it can be purchased at the appliance manufacturer)

Attachment of flexible gas pipe has to be directly to the outside threaded gas connection of appliance located on the back side of it.

Works to be performed during gas connection

- **Gas pipes cleaning**
The thorough cleaning of gas-supply system is very important before attachment of appliance.
- **Gas leakage checking**
After installation of appliance make sure about leak-proof mounting of connections. This action must be fulfilled after every dis-mounting and assembling!

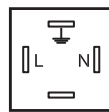
ELECTRICAL CONNECTION

ATTENTION! Both the fan and the ignition control needs 230V/50Hz mains voltage. Before connecting the appliance to the gas pipe line, please disconnect it from the power line and close the gas valve front of the burner. The appliance must be connected to a grounded power supply system! If the above instructions are not followed that can lead to death, heavy injuries or property damages!

**PLEASE CHECK THE EARTHING!****ELECTRICAL WIRING**

The combustion-air supply centrifugal fan is fixed to the appliance/burner head, the automatic burner control is located in the burner head in this way the electrical supply has to be installed just into the appliance head.

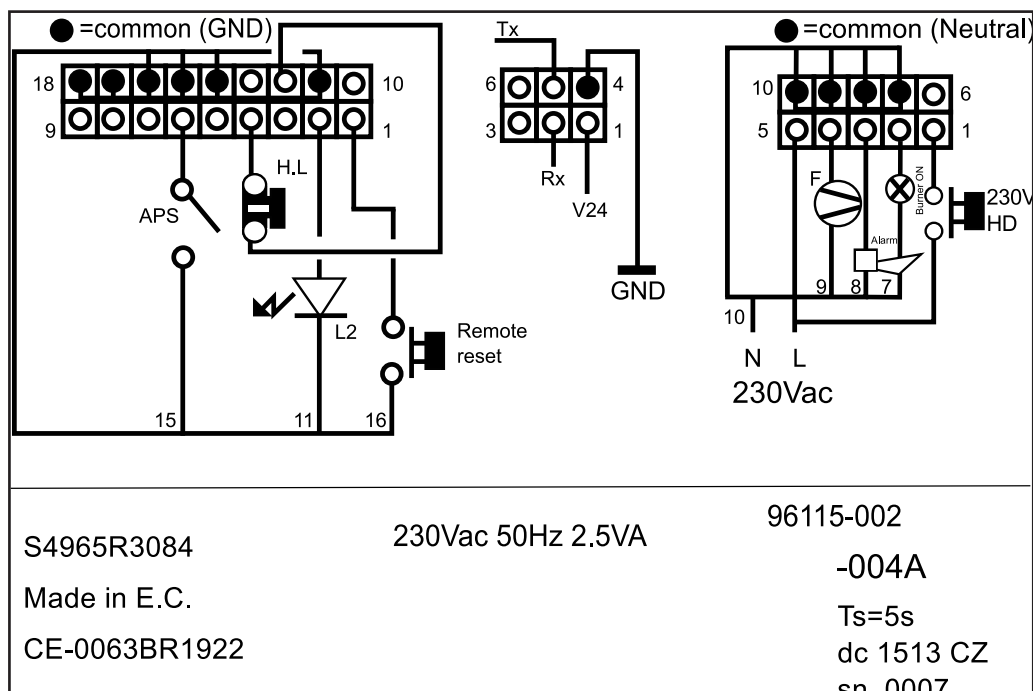
- ELECTRICAL CONNECTING SPECIFICATIONS:
- The appliance/burner head can be connected to the mains by safety electrical connector (Fig.13) located on the fan side of appliance head.



L - phase
N - null
— ground

15.picture: Electrical connection

- The appliance must be operated under dry circumstances.
- At electrical installation of appliance the relevant MSZ 2364 standard must be considered.
- The mains connection can be executed by grounded plug or fixed properly installed phase-null wires.
- The appliance is phase-sensitive for this reason the connection always must be according to the Fig.13.
- For the sake of suitable detachability of appliance from the electrical supply, double-pole – phase / null switching off – detaching main-switch must be installed.
- Electrical wiring: 3 x 0,75 MT cable
- Fuse: 2A dissolving fuse
- Before change of dissolving fuse by disconnecting of Hirschmann plug the appliance must be detached from electrical supply.

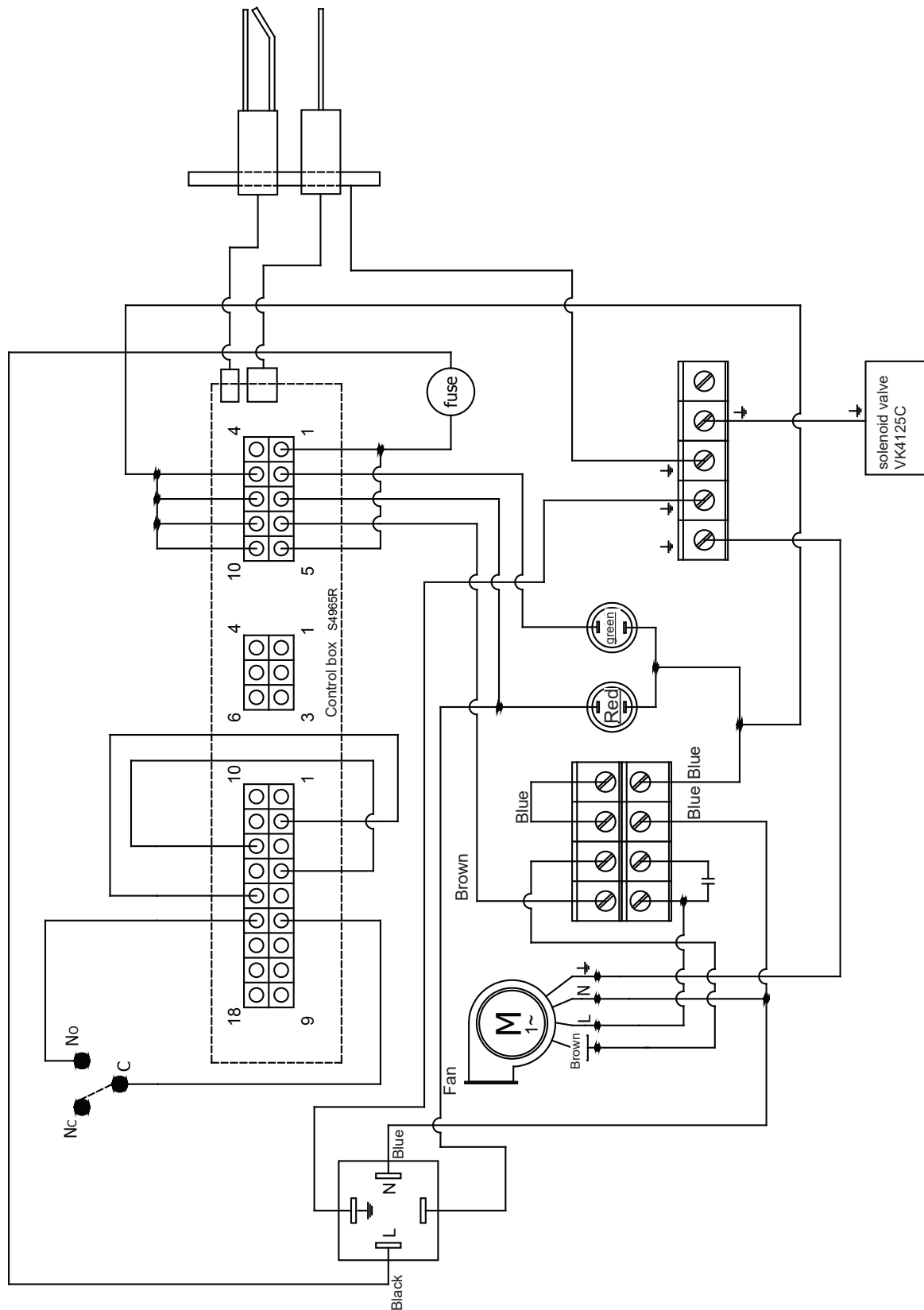
REGULATORY OPTIONS**ELECTRICAL CONNECTION SCHEME OF HONEYWELL S4965R TYPE AUTOMATIC BURNER CONTROL**

16. picture: Connection points of S4965R automatic burner control

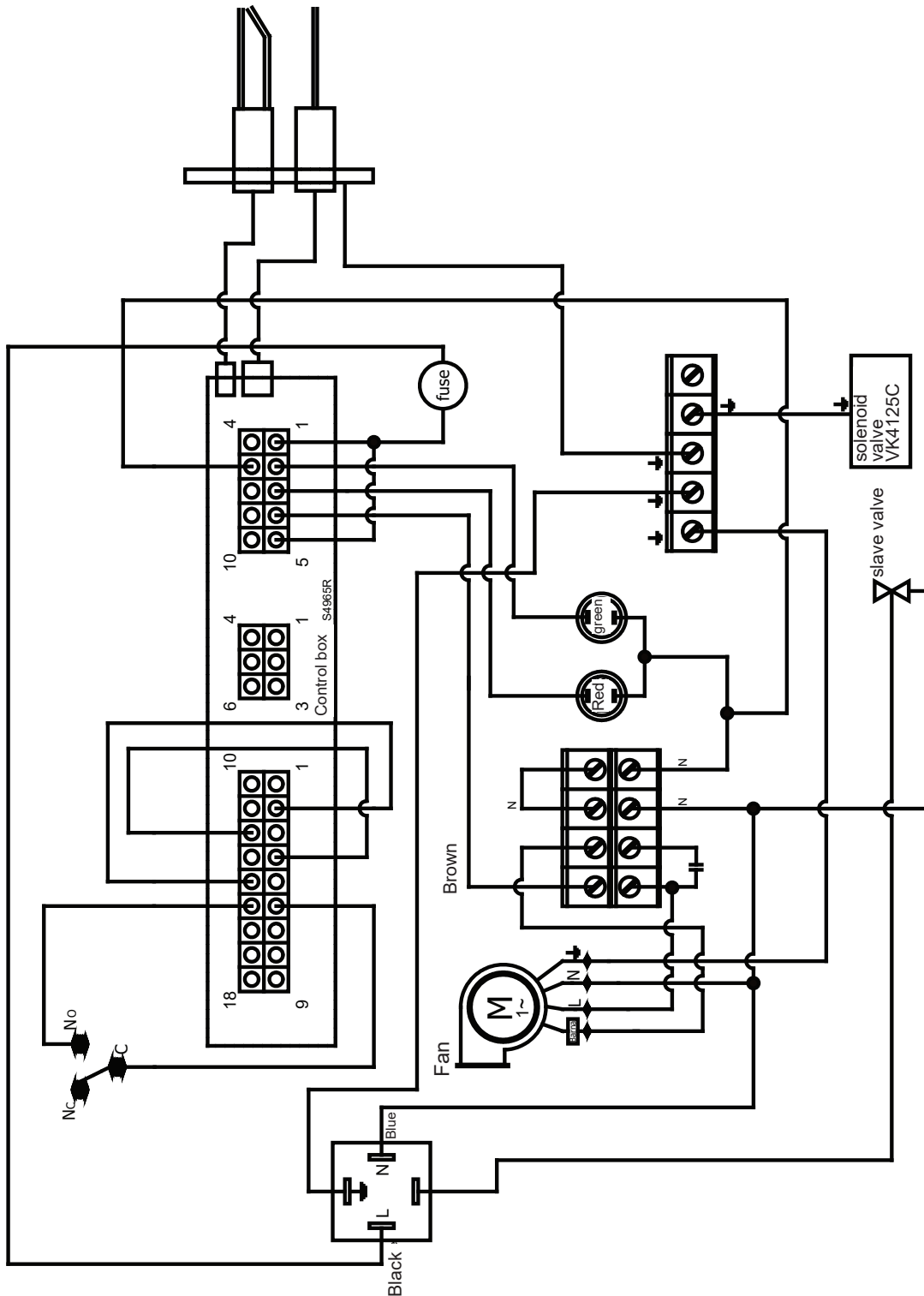
ELECTRICAL CONNECTION

**⚠ The connection diagram could change anytime: so we recomend to use the digaram which was at-
teached to the appliance.**

THE CIRCUIT OF ZENIT TUBE RADIANT HEATER APPLIANCE WITH 2-POINT REGULATION
WITH HONEYWELL ELECTRONICS/ WITH HONEYWELL SOLENOID VALVE/ WITH HIRSCHMANN PLUG

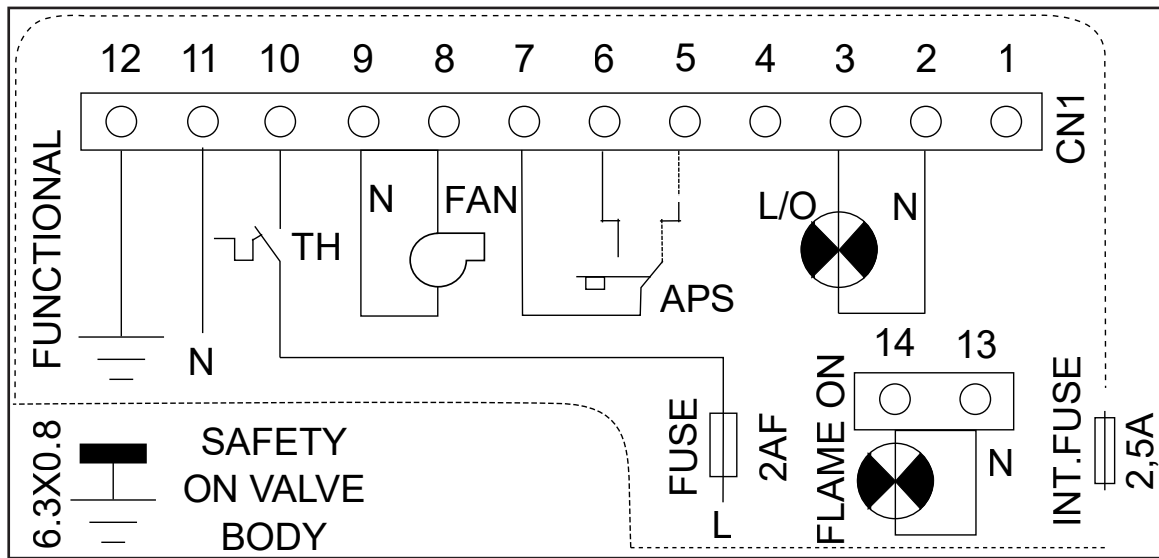


THE CIRCUIT OF ZENIT TUBE RADIANT HEATER APPLIANCE WITH 3-POINT REGULATION WITH HONEYWELL ELECTRONICS/ WITH HONEYWELL SOLENOID VALVE/WITH HIRSCHMANN PLUG



18.picture: 3-point regulation electrical connection of ZENIT appliance with HONEYWELL control box

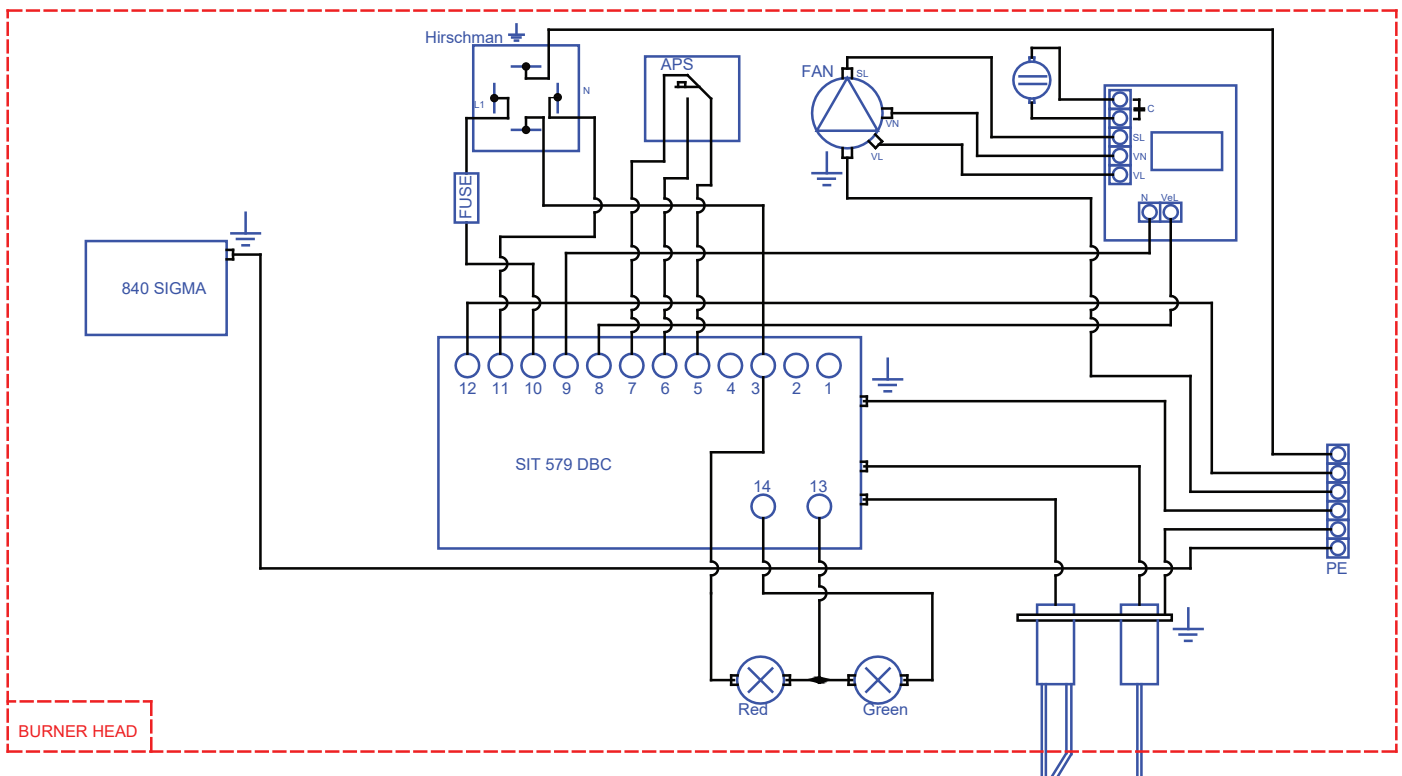
ELECTRICAL WIRING OF BURNER WHEN THE APPLIANCE HAS SIT CONTROL BOX



19. picture: Connection points of SIT 579 DBC automatic burner control box

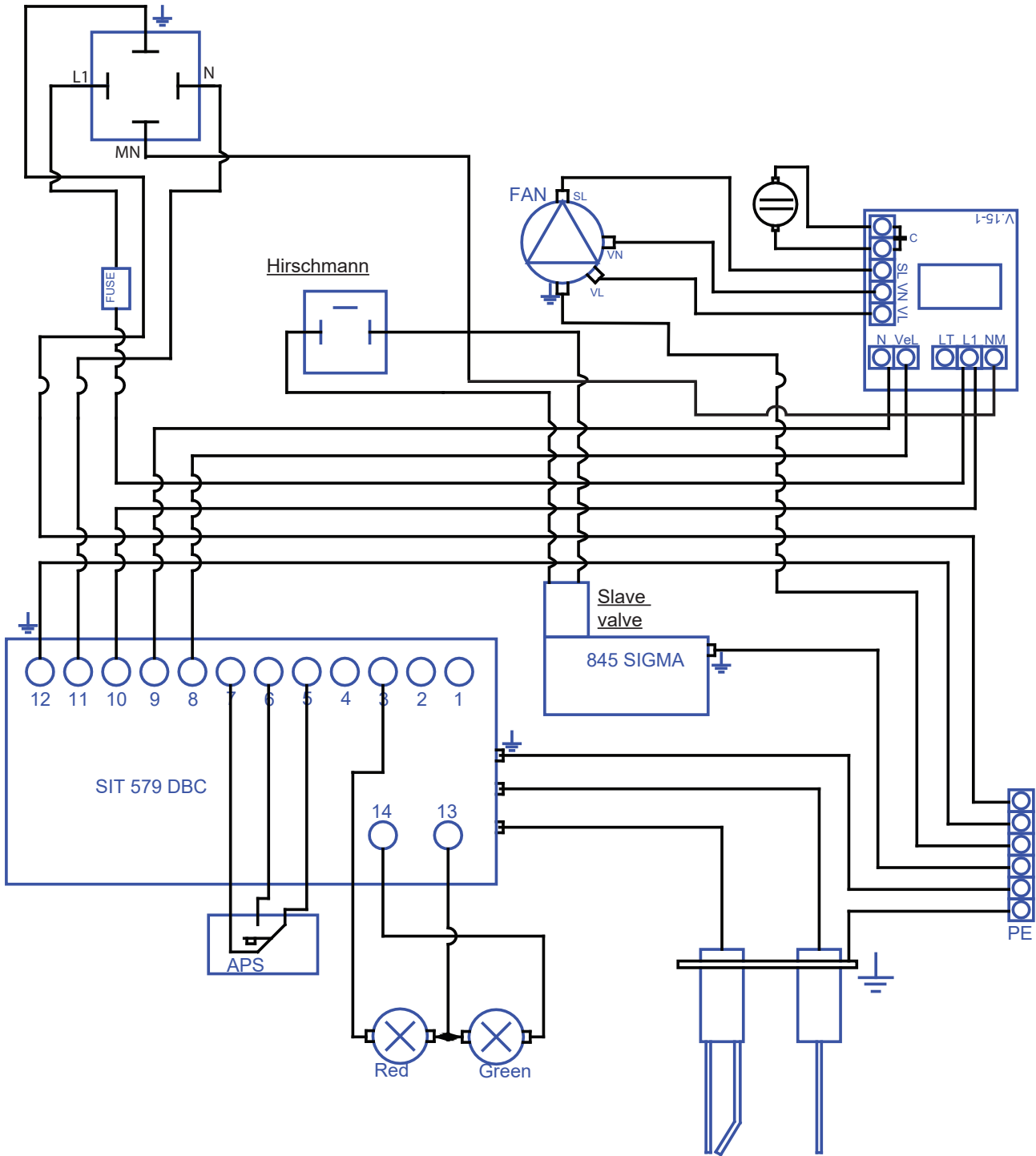
Work out the electrical network system regarding to the diagram to the was attached to the appliance

THE CIRCUIT OF ZENIT TUBE RADIANT HEATER APPLIANCE WITH 2-POINT REGULATION WITH SIT ELECTRONICS/ WITH SIT SOLENOID VALVE/ WITH HIRSCHMANN PLUG



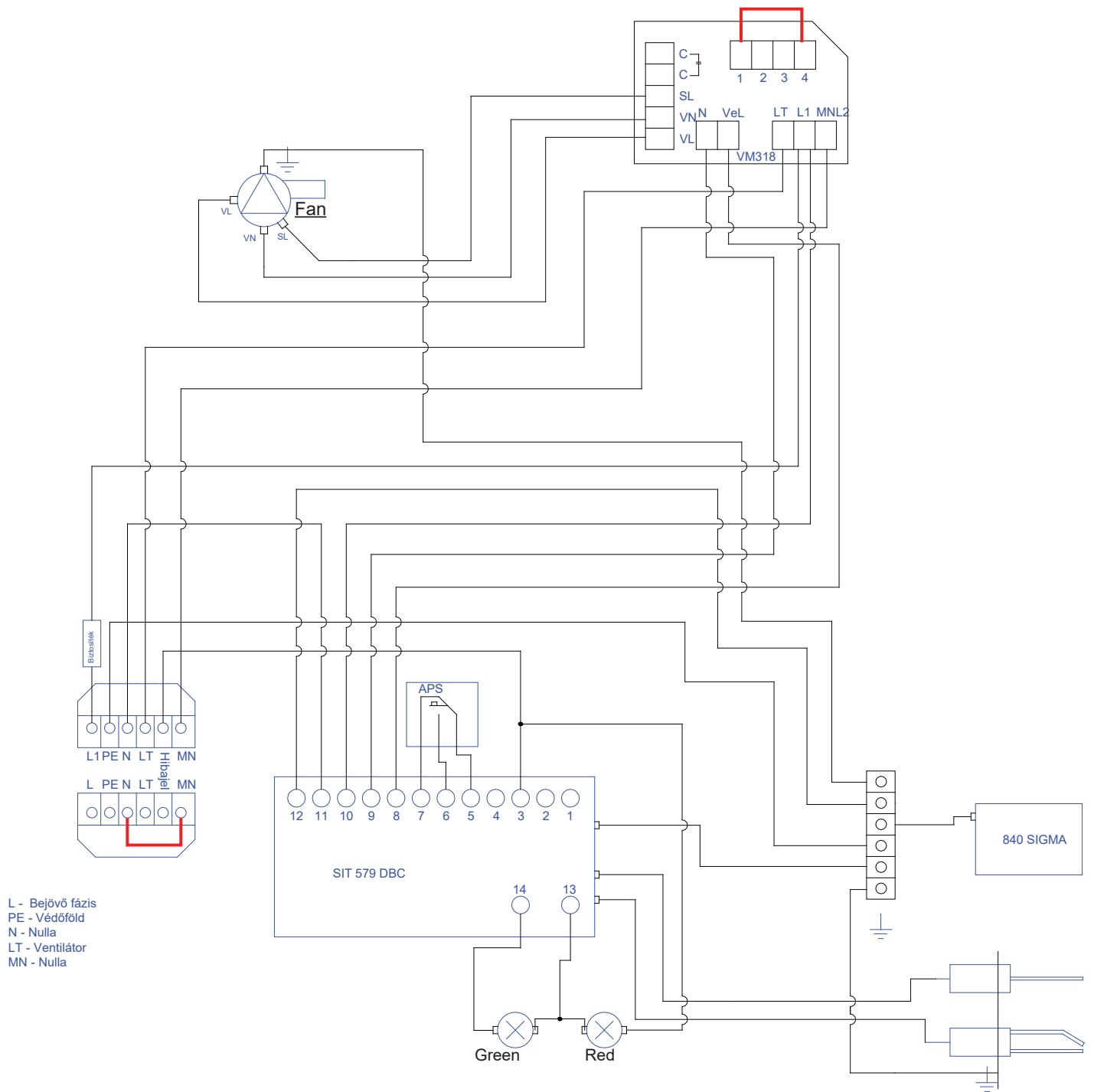
20.picture: 2-point regulation electrical connection of ZENIT appliance with SIT control box

THE CIRCUIT OF ZENIT TUBE RADIANT HEATER APPLIANCE WITH MODULATION REGULATION WITH SIT ELECTRONICS/ WITH SIT SOLENOID VALVE/ WITH HIRSCHMANN PLUG



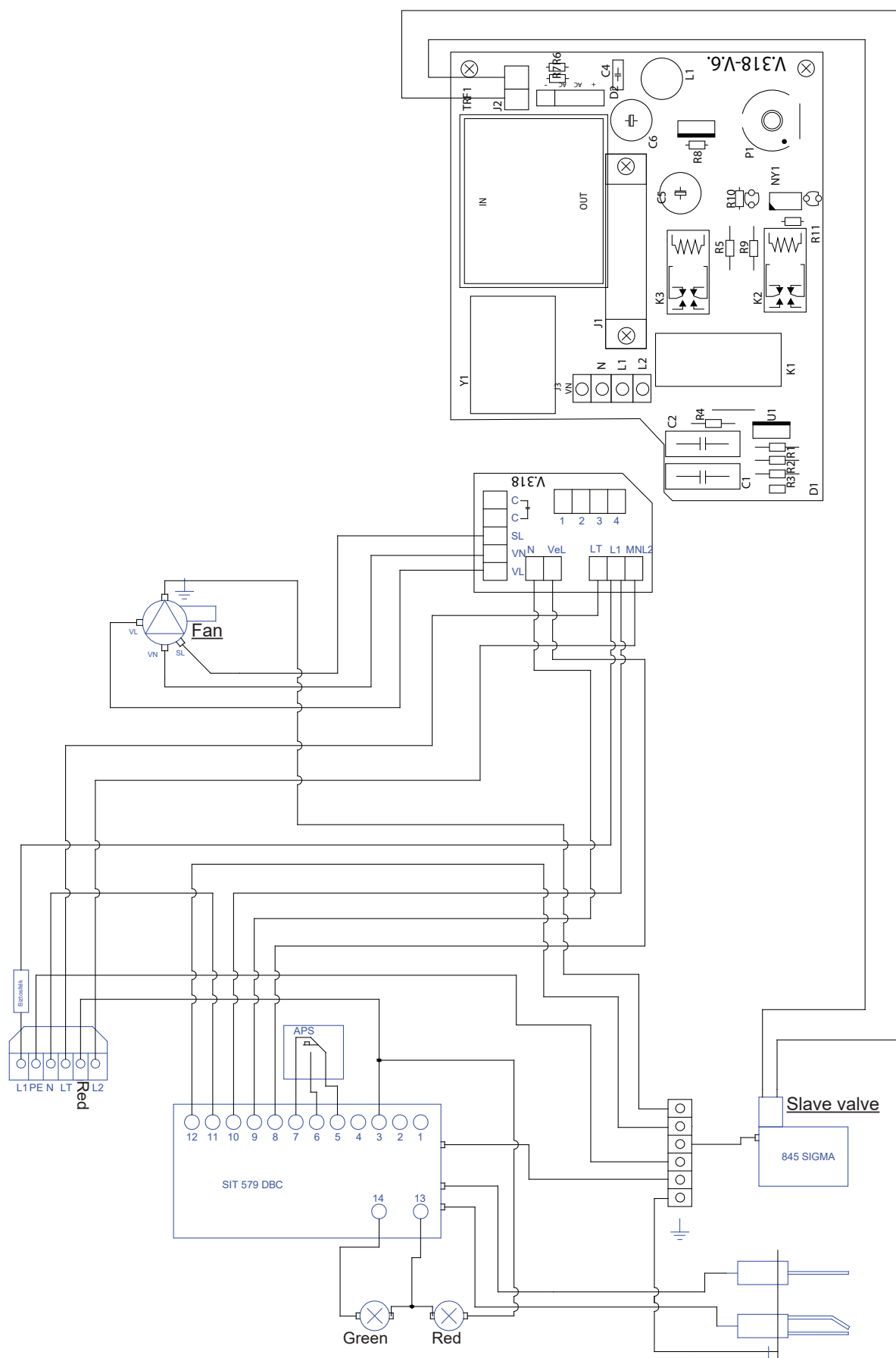
21.picture: modulation regulation electrical connection of ZENIT appliance with SIT control box

THE CIRCUIT OF ZENIT TUBE RADIANT HEATER APPLIANCE WITH 2-POINT REGULATION WITH SIT ELECTRONICS/ WITH SIT SOLENOID VALVE/ WITH 6 POLES CONNECTION



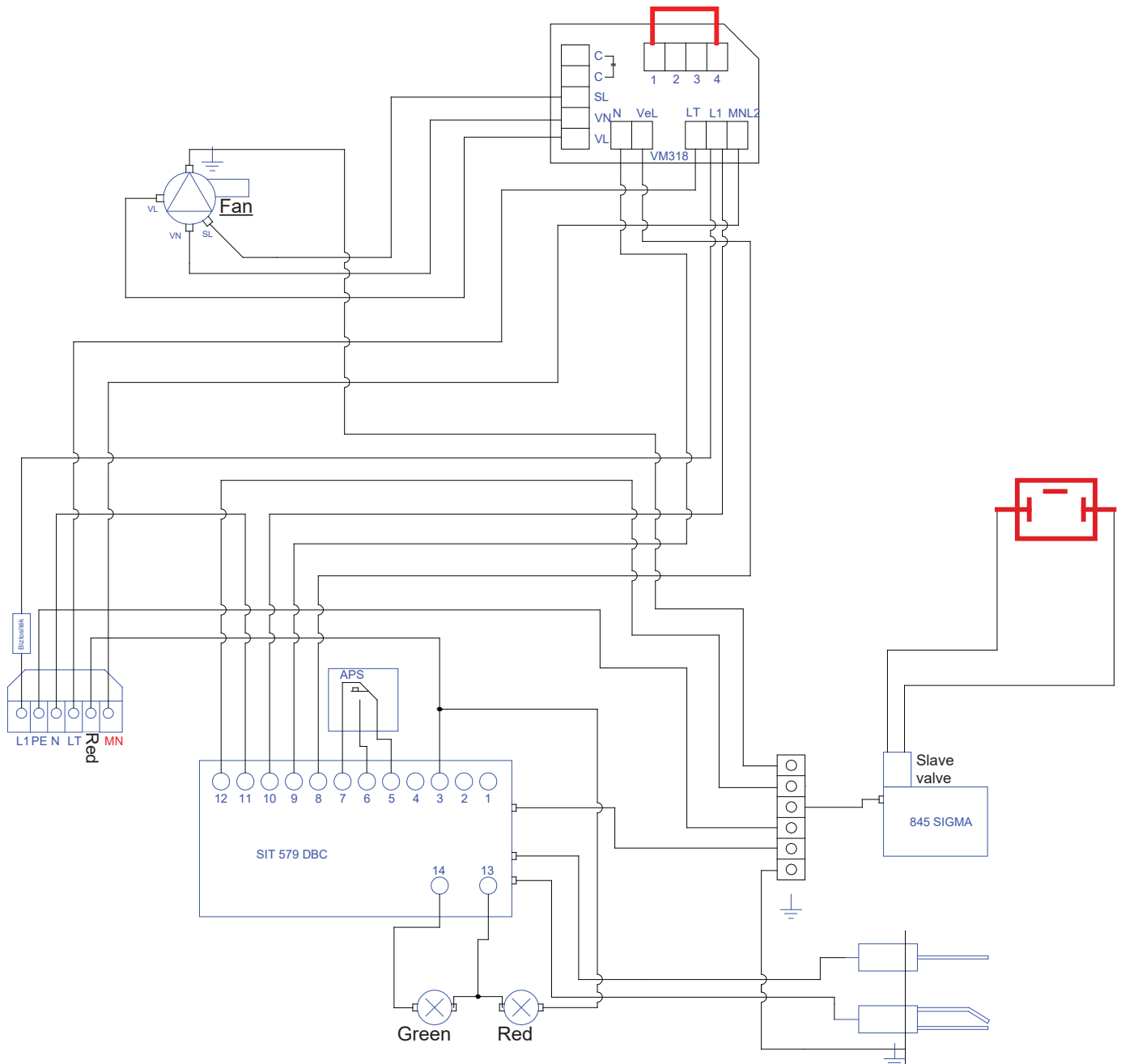
22/a.picture: 2-point regulation electrical connection of ZENIT appliance with SIT control box / 6 pole /

THE CIRCUIT OF ZENIT TUBE RADIANT HEATER APPLIANCE WITH 3-POINT REGULATION WITH SIT ELECTRONICS/ WITH SIT SOLENOID VALVE/ WITH 6 POLES CONNECTION



22/b.picture: 3-point regulation electrical connection of ZENIT appliance with SIT control box / 6 pole /

THE CIRCUIT OF ZENIT TUBE RADIANT HEATER APPLIANCE WITH MODULATION REGULATION
WITH SIT ELECTRONICS/ WITH SIT SOLENOID VALVE/ WITH 6 POLES CONNECTION



22/c.picture: modulation regulation electrical connection of ZENIT appliance with SIT control box / 6 pole /

CONTROL OF APPLIANCE

The ZENIT tube radiant heater can be controlled manually or automatically.

AT MANUAL CONTROL:

the electrical supply of appliance is interrupted manually, based on sense of temperature: Centrally, at each heating zones by a common box Individually, at each appliances separately.

AUTOMATIC CONTROL:

Automatic control of temperature is accomplished by a temperature regulator, which switch on and off the appliance automatically through the electrical input of its according to the requested heat sensation. This temperature regulator – temperature regulator + temperature sensor - can be programmable or simple one. The automatic control can be:

- Traditional (2-point) regulation - with Honeywell S4965R or SIT 579 DBC electronics
- 3-points regulation (on ; 50%-60% ; off) - with SIT 579 DBC electronics and 840SIGMA solenoid valve
- Modulation - with SIT 579 DBC electronics and 845SIGMA solenoid valve

3-POINT REGULATION:

Principle: during the operation of appliance 3 modes are possible, 100% or 60% of power or off mode (standby position).

The regulation made by thermostat, which senses the temperature changing and turns on the 100%, 60% power or turns off the appliance. The appliance always starts the operation with 100% power and when the sensed temperature reaches the adjusted temperature on the thermostat, then it automatically reduces the power to the preadjusted minimum 60%. The heating goes on with this power, and if this power is enough for keeping of temperature then it stays in this mode. If this input is still big for the heating, then the thermostat turns off the appliance. If the temperature is decreasing (e.g. opened door) then the thermostat resets the power of appliance to the 100%. This kind of regulation makes it possible that the needed sensation of temperature be continuously served during an economical operation. *That the reduced input can be 50% or 60%, it depend on the length of pipes and the temperature of exiting combustion products in every case.*

Type of temperature controller: so called 3-point control thermostat.

MODULATION CONTROL

There are three states according to operation of appliance: Out off operation, operation between performance of 100% and 50% or maximum (100%) performance. Is the control of appliance by the thermostat which can sense the room temperature. The thermostat can control the black tube radiant heater according to needed set up temperature. (The detailed manual of thermostat can be found supplied with thermostat) When the thermostat send a sign than the heater starts with maximum performance (this time is minimum 30 sec) The appliance keeps this performance till the difference is between temperature of room and the setted temperature is 3°C degrees, than the control begin decrease the performance of appliance without any stage continuously to 50% of performance where the control keeps it during this time till the temperature reaches the setted temperature. After these the thermostat sut off the appliance. Type of thermostat can be: only use capable type of control which can handle the modulation control.(e.g.: FP-MOD type by Pakole Trade Kft.)

MODULATION ZENIT SIT WITH SIT CONTROL BOX



1. Switch on the device. The thermostat is operating at 100% for 1 minute.
2. We can adjust the temperature with knobs on the regulator. The burner works on 100% power, 50%-100% power or stop depends on room temperature.
3. Setting of modulation range (value of min. and max. nozzle pressure). Switch SERVICE mod on Regulator (pic. 1) The yellow led will turn on. The regulator will reduce the power to 50%.
4. We can set the **minimum** nozzle pressure on the burner head.
5. Switch to SERVICE mod on Valve regulator (pic. 2). The yellow led will turn on. The burner will work 100% power, than we can set the **maximum** nozzle pressure.
6. After set switch back to AUTOMATIC mod the valve regulator.
7. When we finish set all of burner head than switch back to AUTOMATIC mod the regulator

Regulator

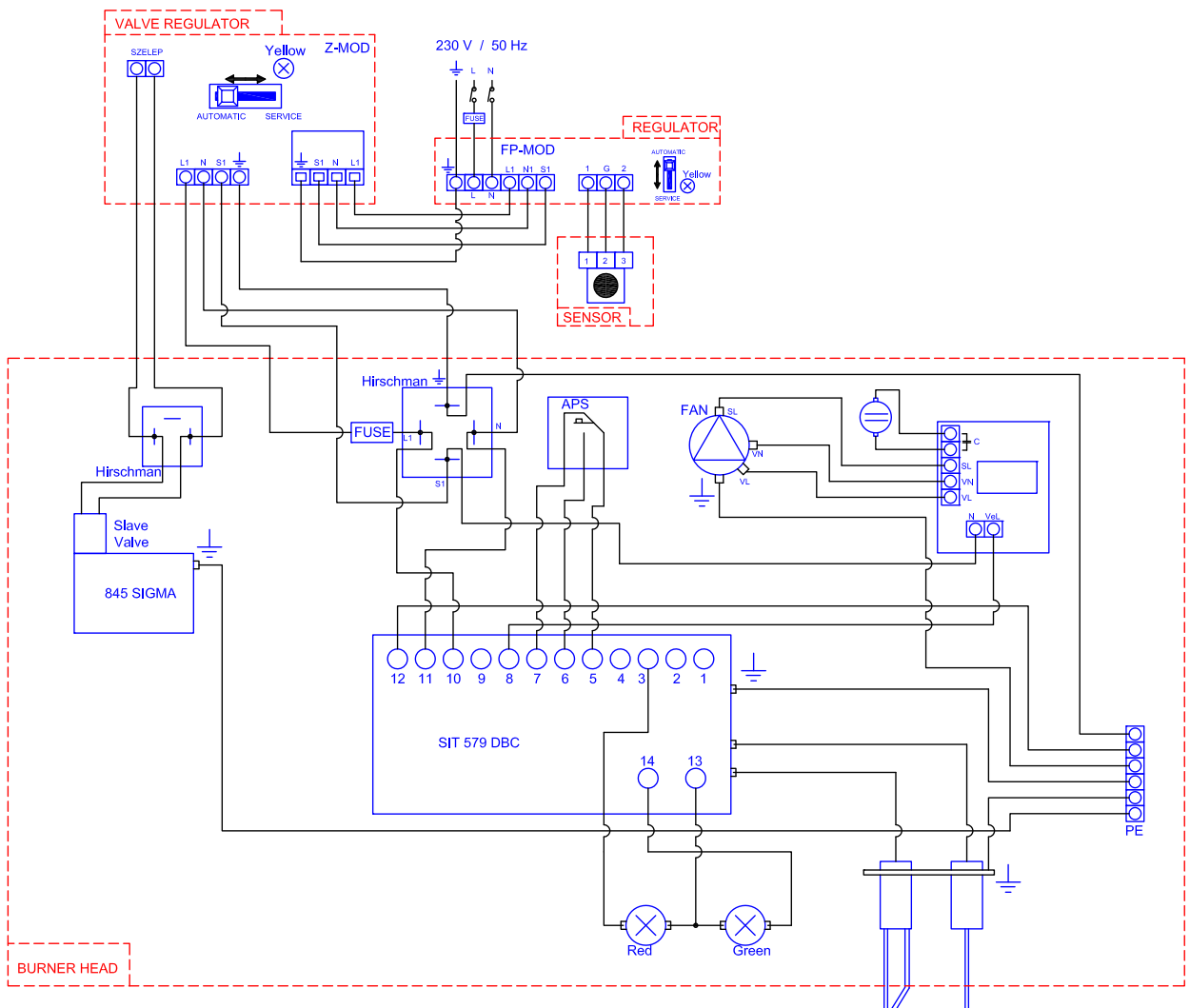


Regulator switch

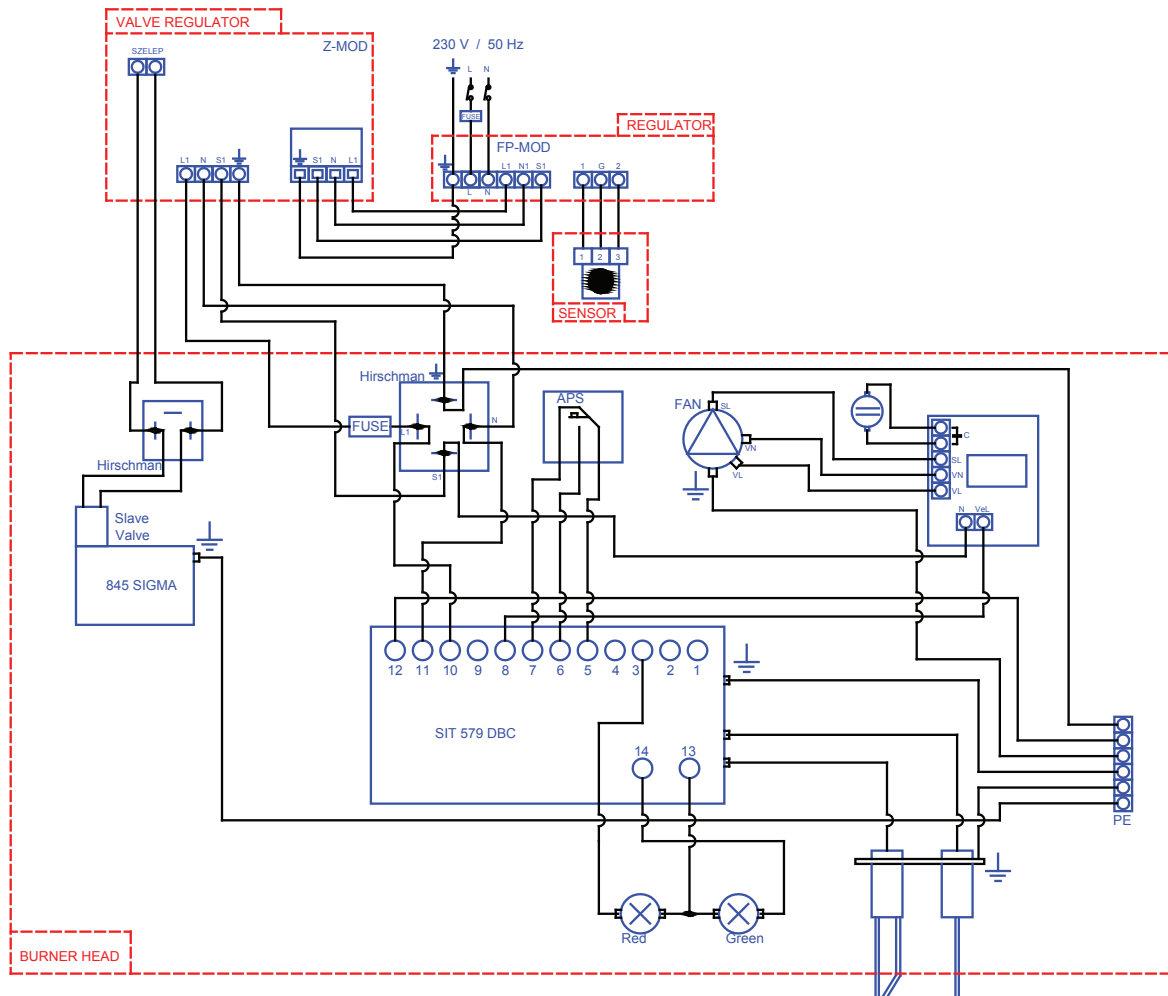
Valve regulator



pic. 2: Valve regulator switch



23/a.picture: 3-point regulation electrical connection of ZENIT appliance with SIT control box



23/b.picture: modulated regulation electrical connection of ZENIT appliance with SIT control box

MODULATION CONTROL

Type of solenoid valve: SIT 845 SIGMA

Method of modulation regulation:

The difference between 3-point control and modulation control is the regulation between two performances limits (from 100% to 50%) is continuous (there are not any stage) When the thermostat sense the adjusted temperature minus 3°C degrees than the controller begin reduce the performance till the temperature of room reach the adjusted temperature. After that the appliance is turn off. The next operation begin when the room temperature decrease the adjusted temperature minus 3°C. Then the appliance start with at high performance (100%) minimum 30 sec. This type of regulation makes it possible to obtain the required temperature in the practically without any heat fluctuations and to provide economical operation.

Operation method of modulation regulation

At the beginning of its operation, the appliance starts with 100% performance, it is similar to modulation regulation black tube radiant heater of heating method. When the sensed temperature to 3° C approaches the regulator reduces the voltage to the combustion air fan. The decreasing the voltage changes the speed of the combustion air fan, changing the total amount of air pressure generated by the fan. The pressure change of the air supplied is detected by the solenoid valve which is located in the burner head, and according to this pressure the valve can change the nozzle pressure between maximum and 50% so the gas air ratio during this regulation not changing

Temperature controller type: Only suitable for this control process, modulation temperature controller. (e.g. FP-MOD by Pakole Trade Kft)

OPTIONAL ACCESSORIES

THERMOSTAT

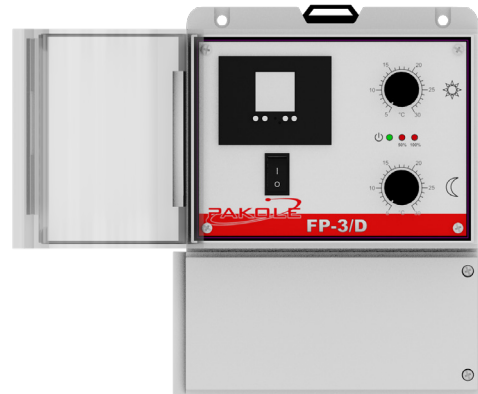
Recommended temperature controllers for the appliance
(these can be purchased at the appliance manufacturer)



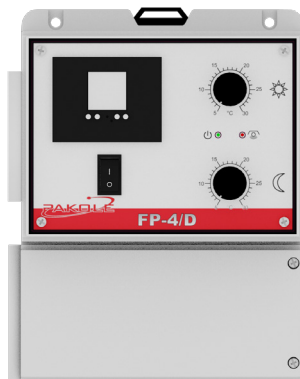
FP-1D typed thermostat



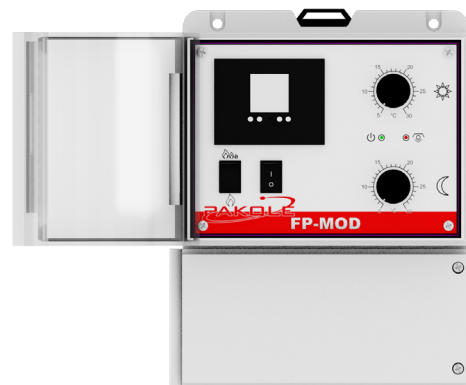
Temperature sensor



FP-3D typed thermostat
(programmable)



FP-4D typed thermostat
(programmable)



FP-MOD typed thermostat

24.picture: Temperature controller

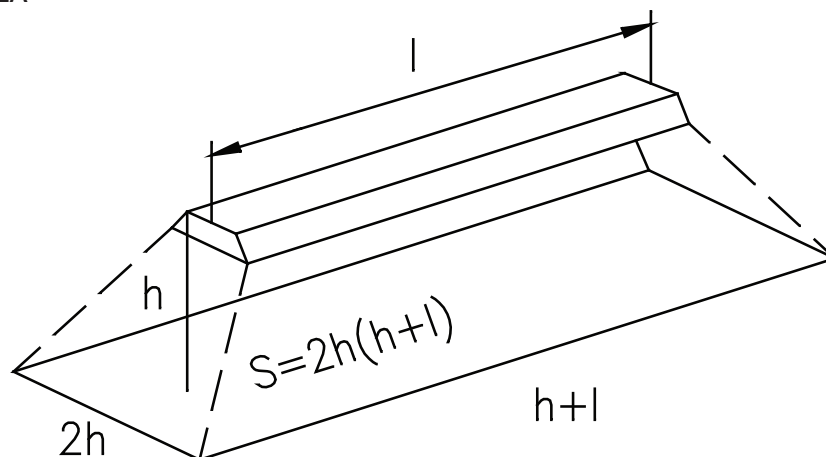
! If the switcher position is „0” does not mean the temperature controller or the ZENIT appliance or a system which is included these, because the appliance is under voltage

PROTECTIVE DISTANCES

From flammable materials it is obligatory to keep **SAFETY OF OPERATION** and **FIRE PREVENTION** distances!

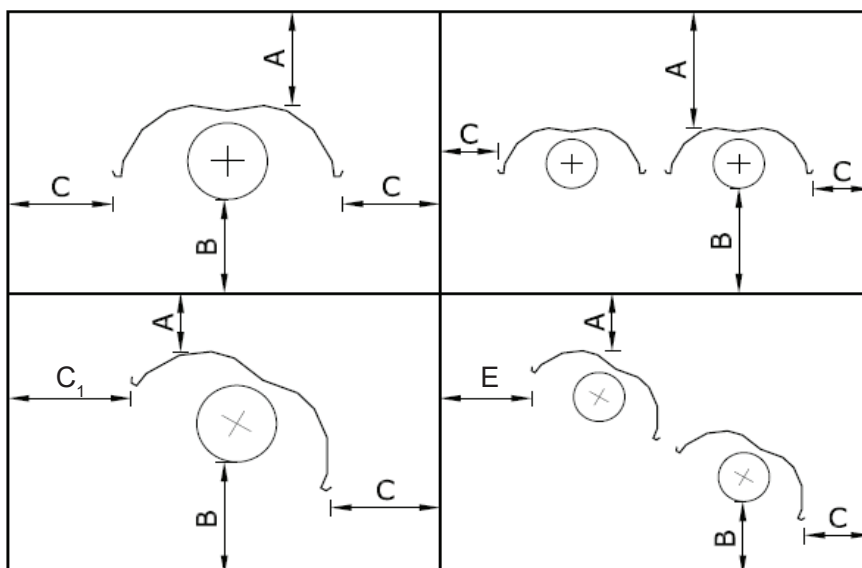
! **ATTENTION!** The specified fire-protection distances – Pic.26 – must be strictly kept and checked!
The installation must comply with the valid standards!
Disregard of these instructions can result in death, injury or property damage!

HEAT-RADIATED AREA



25.picture: Explanation of heat-radiated area

PROTECTIVE DISTANCES TO BE KEPT CONSIDERING FLAMMABLE MATERIALS:



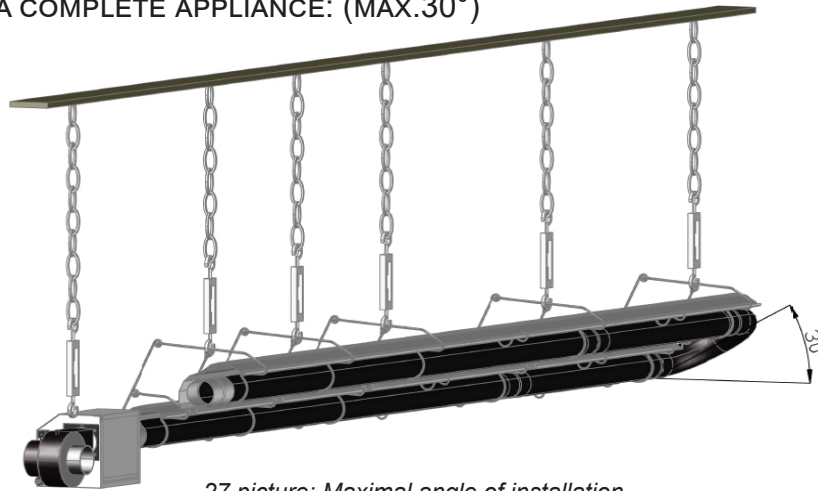
26.picture: Fire-protection distances

Power (kW)	Protective distances(m)				
	A	B	C	C1	E
12 – 14	0,12	1,1	0,3	0,8	0,8
16 – 20	0,12	1,3	0,6	0,9	0,8
22 – 28	0,15	1,5	0,8	1	1
30 – 36	0,15	1,6	0,8	1	1
38 – 44	0,18	1,6	1	1	1
46 – 52	0,18	1,8	1	1,2	1,2
54 – 58	0,18	2	1,2	1,5	1,2

THE MINIMAL MOUNTING HEIGHT

Type	Execution	Location	Input (kW) mounting height (m)										
			10	15	20	25	30	35	40	45	50	55	60
ZENIT	„U” FORM	horizontal	3,4	3,7	4	4,2	4,4	4,6	4,9	5,2	5,4	5,7	5,9
		30°	3	3,2	3,4	3,7	3,9	4,1	4,3	4,6	4,8	5	5,3
	„I” FORM	horizontal	3,2	3,5	3,7	4	4,2	4,5	4,7	5	5,2	5,4	5,6
		30°	2,7	3	3,2	3,4	3,6	3,9	4,1	4,3	4,5	4,7	4,9

MAXIMAL ANGLE AT A COMPLETE APPLIANCE: (MAX.30°)



27 picture: Maximal angle of installation

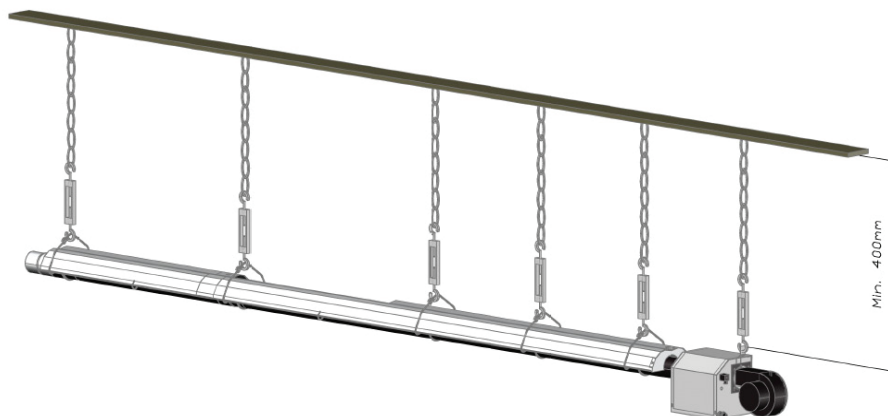


28.picture Minimal ascent of installation

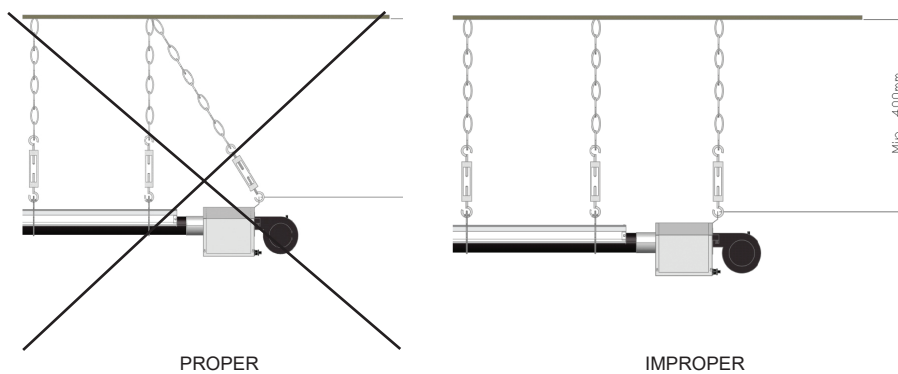
SUSPENSION

After determining the number and exact position of appliances and hangers, you have to provide for hanging them at a minimum of 400 mm (hanging chains for example). This is necessary, so it does not hinder the length change, which increases due to thermal expansion, hereby appliances do not deform. Install hangers under the roof structure, under buttresses or scaffolding among columns or nearby wall. The suspension of appliances has to be executed by hanger located on the fan side of burner and combination brackets.

EXAMPLE FOR LOCATION OF SUSPENSIONS



29.picture: Minimal installation height



30. picture: Suspension possibilities

At mounting take the correct hanging up of burner head into consideration because the improper hanging up can cause deformation on the burner head during heat dilatation.

ATTENTION! The appliance must be installed in such a way that its rise is at least 0.5% from the burner to the exhaust outlet.

COMBUSTION-AIR SUPPLY

Combustion air may be drawn in from more spaces.

- from inside (heated) space
- from outside, in case outside combustion-air system is connected to the fan.

The combustion air must not drawn in from internal space in the following cases:

- if the heated building is under lower pressure than the outside
- if the atmosphere is contaminated with acid fumes, fluorocarbons, corrosive substances, dirt, oil, etc., which can damage the fan and pipe system

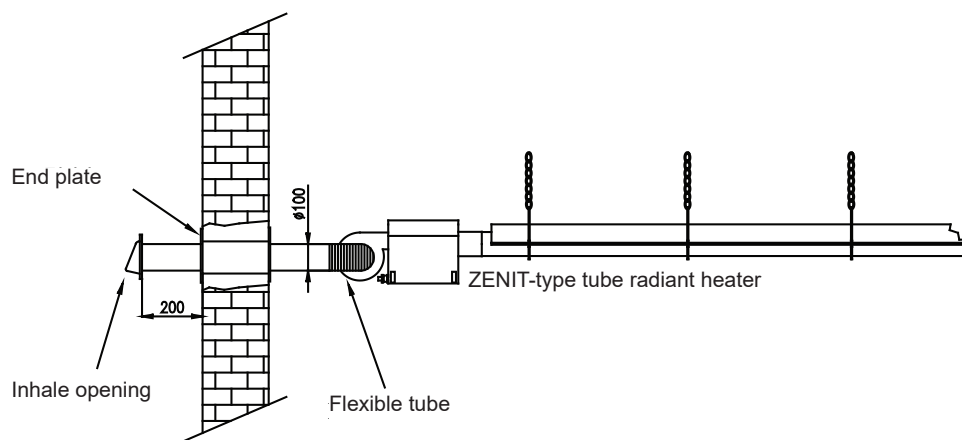
In this case the combustion air must be conducted to the device from the external space.

Tube length for combustion-air supply

6 meter with one elbow from 100 mm diameter tube.

15 m with two elbows from 150 mm diameter tube. More elbows can be used. One 90° elbow is correspond to 1 meter tube length

EXAMPLE FOR OUTSIDE COMBUSTION-AIR SUPPLY:



31.picture: Outside combustion-air supply

When two appliances are controlled by one thermostat in that case a common combustion-air supply can be used. The common duct of two appliance must be $\varnothing 150\text{mm}$ and should not exceed 15 m in length. Maximum two 90° elbows may be used.

6. EXHAUST SYSTEM POSSIBILITIES

Exhaust arrangements of combustion products

- Flue channel to the outside of building at each appliance
- Common flue channel for two appliances

Flue pipe is not allowed to have a low point, it must be made of $\varnothing 100\text{mm}$ stainless steel or aluminium. The minimum ascent of flue piping must be $2\text{cm/m} \approx 1^\circ$

Type of the exhaust system:

- Leading of combustion products across the wall
- Vertical leading of combustion products

The length of exhaust system:

The length of the exhaust system depend on the allowed maximal length and the used length of the appliance. The total length of exhaust system can be the difference of allowed maximum length (m) as per types (ZENIT-12...58) and the used length – at the installation – plus 6 m.

L : Total length of exhaust system

L_{max} : The allowed maximal length of appliance (it is defined as per types)

L_{used} : The used length of appliance (at the installation)

$$L = L_{\text{MAX}} - L_{\text{used}} + 6 [\text{m}]$$

The total length of exhaust system can be completed with 1pc 90° elbow without any correction.

In case of using more 90° elbows the following correction has to be considered:

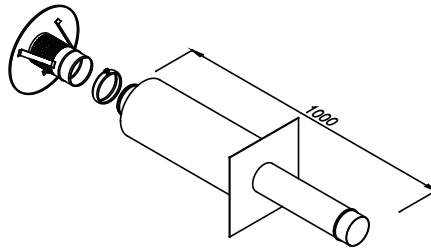
Correction 1 pc 90° elbow = 1 m exhaust tube (combustion products leading tube)

Namelly using more than one 90° elbow the length of exhaust system has to be proportionally reduced with the corrective value.

If the entire length of conducting the combustion product specified previously is maximum 6 meters, according to the formula, but it is not sufficient for discharge, longer flue gas pipe can also be employed. In such cases the maximum equipment length + the fume discharge can be 30 meters in aggregate, but the flue gas pipe section above 6 meters must always be heat insulated!

The exit module of exhaust system must be at least higher than 1 m from openings(sucking hole of vent etc.) of force-assisted ventilation systems. The bottom side of exit opening must be minimum from 30 cm any kind of frontal wall-protruding.

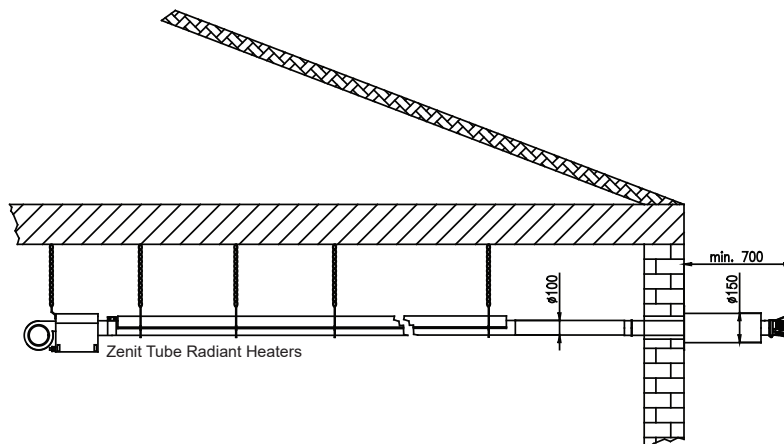
EXHAUST SYSTEM ACROSS THE WALL



32.picture: Side-wall exit module

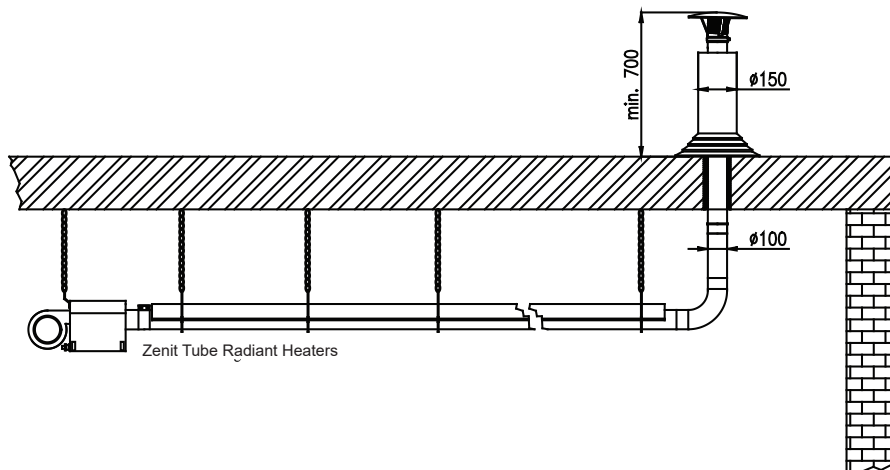
The examples of flue leading are suitable but can not conform to the standards of every country. Examples for different flue leading:

A) SIDE-WALL EXIT FLUE (B23)



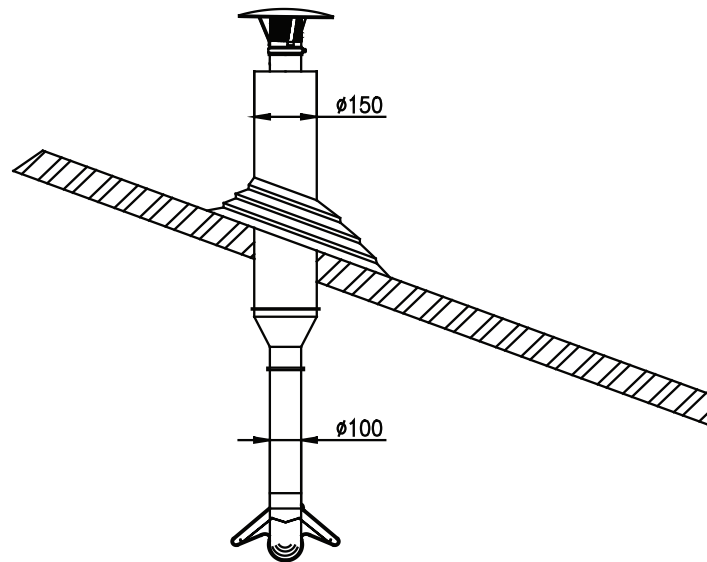
33.picture: Flue leading across wall

B) FLAT ROOF EXIT FLUE (B23)



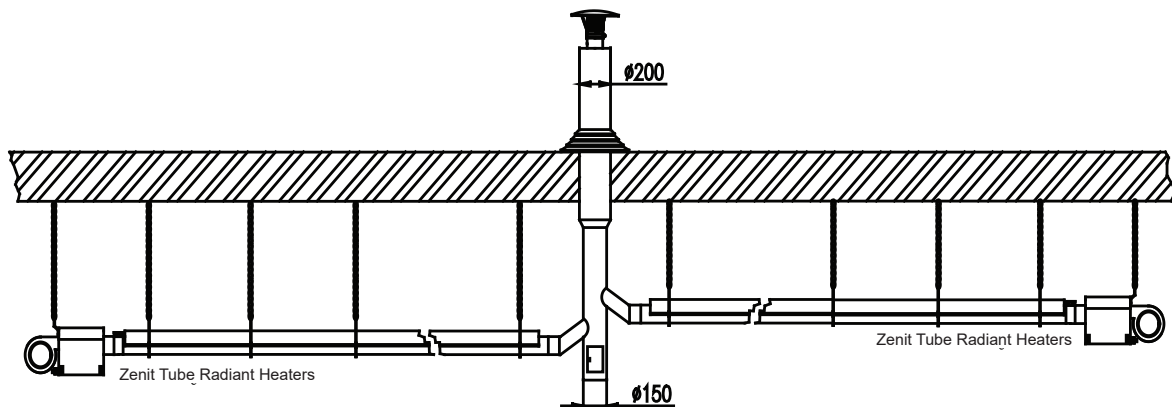
34.picture: Flue leading across flat roof

C) SLANTING ROOF EXIT FLUE (B23)



35.picture: Flue leading across slanting roof

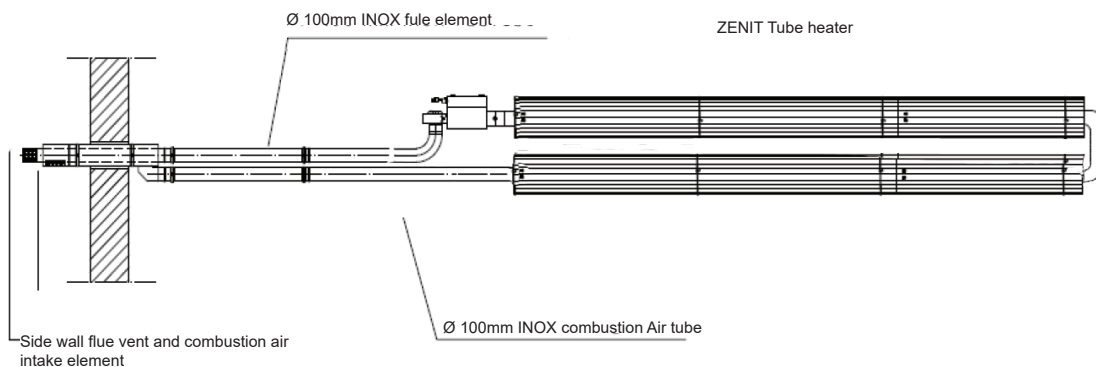
D) APPLIANCES WITH COMMON EXIT FLUE (B33)



36.picture: Common flue vent set

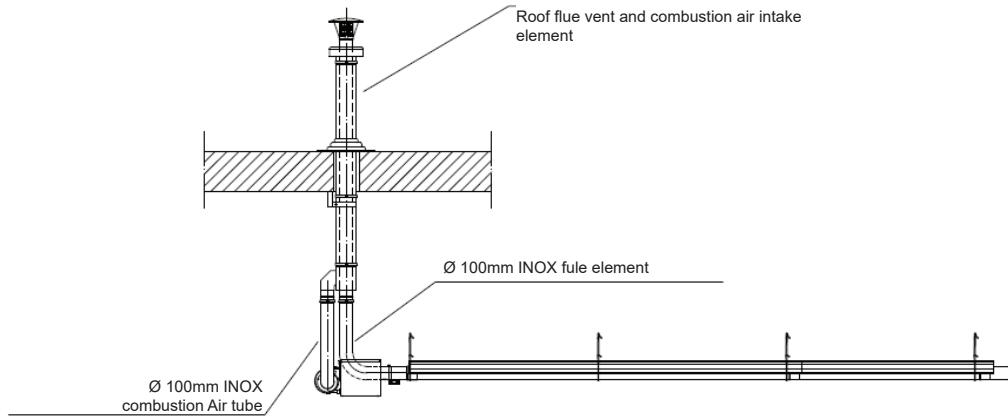
EXHOUST OUT TAKING +COMBUSTION AIR INTAKING

A) COAXIAL SIDE WALL FLUE VENT SET (C13)



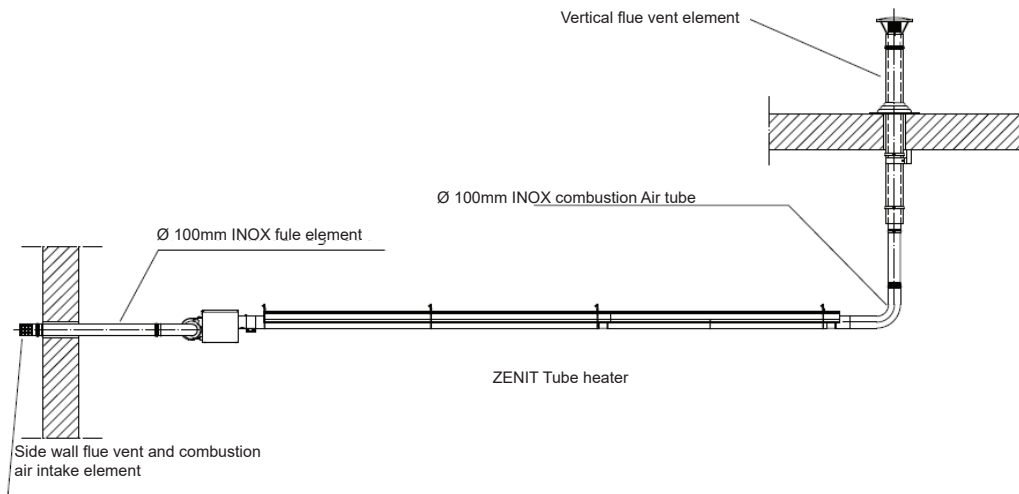
37.picture: Side-wall flue vent set

B) COAXIAL ROOF VENT SET (C33)



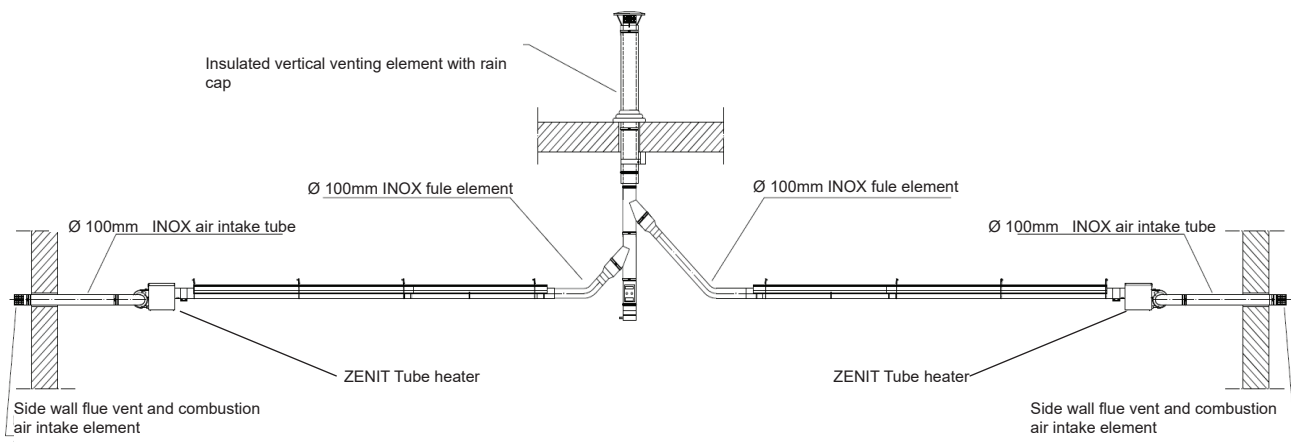
38.picture: Coaxial roof vent set

C) LINEAR TYPE TUBE HEATER WITH CLOSED BURNING FLUE VENT SYSTEM (C53)



39.picture: Closed burning flue vent system

D) COMMON FLUE VENT SET FOR CLOSED BURNING SYSTEM (C83)



40.picture: Common flue vent set

7. APPLIANCE OPERATION

ATTENTION! The installation of appliance must be only executed by qualified service or specialist authorized by retailer. The 2 years guarantee of appliance can be ensured only in this case.

Before putting operation of appliance the leak-proof/pressure test of gas supply system must be fulfilled.

- Clean duct system of gas supply from any contamination.
- Check the presence and cleanness of gas filter located before the appliance
- Check the presense and suitability of pressure regulator located centrally or before every appliance.(the pressure regulator is needed if the gas supply pressure is higher than 60mbar,in this way the capacity of pressure regulator can be max.60mbar)
- Make sure of protective ground of appliance.
- Check the proper electrical connection of temperature regulator.
- Open the gas supply valve.
- Check the gas pressure on the inlet side of solenoid valve.(the maximum allowed pressure is 60mbar).
- Connect the mains voltage to the appliance (by temperature regulator or central stage main-switch).
- Check the outlet pressure of solenoid valve,whether the set up pressure – nozzle pressure – is suitable for the type of gas.
- At Natural gas – depending on output: 8.6, 9.5 vagy 10 mbar
- At „S” gas – depending on output: 8.6, 10, 11, 11.8, vagy 12.5 mbar
- At Propane and butane: 24.9 mbar

8. APPLIANCE SPECIFICATION

START, RESTART

Following the switched on voltage the fan operates continuously assuring the 30 seconds prepurge time. This time period ensures the three times air change of combustion volume in case of biggest appliance's power.

When the pressure is suitable - after 30 seconds – the sparking happens and the solenoid valve opens in this way the gas catches fire.

OPERATION OF AUTOMATIC BURNER CONTROL (HONEYWELL S4965R TYP)

In case during 5 seconds sparking(ignition) the continuous flame shape is stabilized, - and stable electrical signal is come back from the electrode – the appliance operates and the green control lamp is lighting. During operation of appliance its automatic burner control controls the condition of differential pressure switch and signals coming from the flame control continuously, and if the position of differential pressure switch is changed – it is switched over from work position to rest – or the signal from the ionization flame control is interrupted then it stops the gas supply of burner and the appliance gets into error position and red control lamp is lighting placed on the bottom side of appliance.

If the flame control of burner automation does not register flame during the safety time than repeats the all ignition procedure maximum two times. If in this time there is not registered flame then it stops the gas supply of burner and the appliance gets into error position and red control lamp is lighting.

In case during burning process the pressure decreases under the permissible minimal value on the positive side of air pressure(from the fan side),then automation prohibits:

- gas supply and fan stops

The appliance stands into error position and red control lamp is lighting.

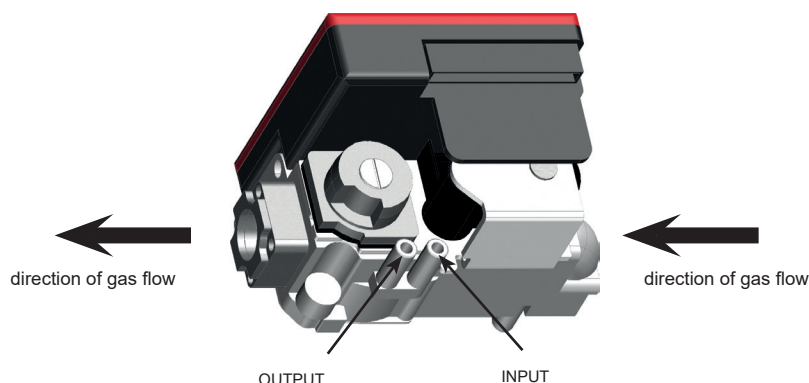
Restart is possible after the switching off and on of mains voltage.

In case during burning process the pressure increases above the permissible maximum value on the negative side of air pressure switch (from the burner tube side, eg.at combustion back),then it switches back to rest position and the automation prihibits.

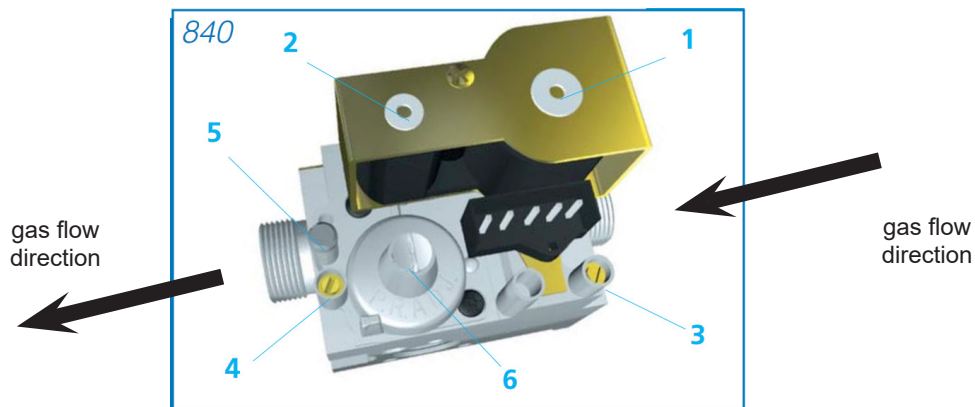
- gas supply and fan stops

The appliance stands into error position and red control lamp is lighting.

Restart is possible after the switching off and on of mains voltage.



41. picture: Input and output gas pressure cheking connections in case of HONEYWELL solenoid valve



1. On-Off solenoid valve EV1
2. On- Off solenoid valve EV2
3. Inlet pressure test point
4. Outlet pressure test point
5. Connection for pressure regulator / combustion chamber compensation
6. Servo pressure regulator

42.picture: Input and output gas pressure cheking connections in case of SIT solenoid valve

The flame sensor is self-monitoring and only performs an intervention on the burner it controls, insensitive to other environmental effects (eg.: external heat, light)

Following the switched on voltage the fan operates continuously assuring the 30 seconds prepurge time. This time period ensures the three times air change of combustion volume in case of biggest appliance's power.

When the pressure is suitable - after 30 seconds – the sparking happens and the solenoid valve opens in this way the gas catches fire.

OPERATION OF AUTOMATIC BURNER CONTROL (SIT 579 DBC)

In case during 5 seconds sparking (ignition) the continuous flame shape is stabilized, - and stable electrical signal is come back from the electrode – the appliance operates and the green control lamp is lighting. During operation of appliance its automatic burner control controls the condition of differential pressure switch and signals coming from the flame control continuously, and if the position of differential pressure switch is changed – it is switched over from work position to rest – or the signal from the ionization flame control is interrupted then it stops the gas supply of burner. The fan continues to rotate, none of control lamps is lighting.

In case during the burning process the pressure decrease under the permissible minimal value ont he positive side of air pressure (from the fan side), then automation prohibits:

- gas supply and fan stops

The fan continues to rotate, none of control lamps is lighting.

In case during burning process the pressure increases above the permissible maximum value on the negative side of air pressure switch (from the burner tube side, eg.at combustion back),then it switches back to rest position and the automation prihibits.

- gas supply and fan stops

The appliance stands into error position and red control lamp is lighting.

Restart is possible after the switching off and on of mains voltage.

9. MAINTANCE



**WARNING! Before every maintenance the appliance must be detached from the elektrical supply and the gas supply must be turned off!
Disregard of these instructions can result in death, injury or property damage!**

CHECK AT THE BEGINNING OF SEASON

Carry out starting test and check the regular operation of appliance.
Checking of the regular operation.

Two kind of supervision should be fulfilled:

- a) Switch on the appliance, let it operate some minutes, then turne off the gas valve. The burner stops the operation. Wait for 6-8 seconds, then turn on the gas valve once more, the appliance starts the operation again..
- b) Let it operate some minutes. Then take down the exhaust end of heat radiant tubes and close the vent opening. The differential pressure switch switches over to OFF position from ON. The automation closes the solenoid valve and the appliance stops and red control lamp is lighting.
Remove the closing of tube and reset the original condition. Start the appliance again by interraption then reconnecting of mains voltage.

MAINTENANCES

The ZENIT-type tube radiant heater appliance apart from the supervision and cleaning of radiant tubes (see: Maintenance supervision by the customer), do not need extra maintenances but to be able to preserve the SAFETY OPERATION and LONG LIFETIME of appliance it is recommended to have yearly supervision done by qualified service department.

MAINTENANCE SUPERVISION MUST INCLUDE THE FOLLOWING:

Maintenance supervisions by the customer

- a) Supervision and cleaning of heat radiant tubes.
Clean the external surface of tubes from any dust by a brush and make sure that there is not any burnout or warping.
- b) Check connection and sealing of burner tube and heat radiant tubes by a survey. In case there is lack of sealing, colouring shows it.
- c) Check the condition of reflectors if necessary clean them. Clean them by a soft cloth or diluted detergent.
- d) Check the suspensions, make sure that the load is distributed smoothly at all mountings. You can check it moving each hanger a little.
- e) Cleaning the flue pipes.

Remove the barrier by the combustion product and reset the original condition
Restart the device by interrupting and resetting the power supply.

It is advisable to make a maintenance contract for the proper maintenance or call our qualified service department for regular maintenance.



ATTENTION! Before any maintenance operation the appliance must be disconnected from the power supply by turn off the electrical main switch and pull out the electrical plug on the back of the appliance.



ATTENTION! In case operational circumstances of appliance (atmosphere is contaminated with corrosive substances, dirt etc.) need it, then supervision and cleaning may have done more often! The main reason of this that the settled dirt on the radiant tubes can damage the effeciency of it and load the tubes hereby loading the suspensions of it significantly!

**MAINTENANCE SUPERVISIONS BY A QUALIFIED SERVICE DEPARTMENT
(ALL KINDS OF INTERVENTIONS FOR WHICH DISASSEMBLY OF APPLIANCE IS NECESSARY)**

- a) Supervision of nozzle pressure (at the outlet of solenoid valve)
- b) Checking the condition of pressure regulator.
- c) Cleaning of gas filter.
- d) Checking the condition of differential pressure switch.
- e) Checking the presence of protective ground.
- f) Supervision of electrical connection.
- g) Supervision of combustion air fan.

Check, whether the wheel of fan is able to revolve free and remove the possible contaminations from revolving blades.



ATTENTION! All maintenance work means need to restart the appliance. Restarting can only be performed by a qualified person.

Structural elements which are responsible for the operation

- solenoid valve
- control box
- air pressure switch
- fan



Contact the qualified service department for disassembling the burner. Disregard of this instruction can result in death, injury or property damage!



Never hinder the combustion gas diversion and air supply. Never change the settings made by the qualified service department. Never allow water or water spray to enter the appliance.

GAS CHANGE

ATTENTION! In case you would like to operate your appliance by another type of gas (e.g. by Natural gas instead of Propane gas), then contact the local authorized representative or a qualified service department!



ATTENTION! This operation can be made just the qualified service department or specialist, who is entrusted by the manufacturer!



**ATTENTION! If an intervention needs the disassembling of burner turn to a qualified service department, which is authorized by the representative!
Disregard of these instructions can result in death, injury or property damage!**

10. TROUBLESHOOTING

The following control lamps located on the bottom side of appliance (burner head) indicates the mode :

- Green: operation
- Red: error

MALFUNCTIONS

Symptoms		Possible causes	Corrective actions
Ignition and flame sensing system	Gas burner and combustion air fan		
There is no spark between electrodes of the igniter		<ul style="list-style-type: none"> • The electrodes of igniter is polluted • Electrical connection between igniter and automation is broken • Spark interval is too large • Automatic control went wrong 	<ul style="list-style-type: none"> • Clean electrodes • Check electrical connection between ignition module and automatic control • Check spark interval • Replace automatic control
	Combustion air fan does not revolve	<ul style="list-style-type: none"> • There is no electrical supply at fan motor • Fuse has blown • Differential switch is not at rest • Automatic control went wrong • Fan motor went wrong 	<ul style="list-style-type: none"> • Check the electrical supply • Replace the fuse, and try to find the reason of high current consumption • Replace differential switch • Replace automatic control • Replace the fan motor or repair it
Ignition cycle is finished normally	Appliance does not operate after the first ignition cycle	<ul style="list-style-type: none"> • The gas supply valve is turned off • Air is not removed sufficiently from gas pipe • Nozzle pressure is not suitable • Necessary air flow for burning is not suitable 	<ul style="list-style-type: none"> • Turn on the gas supply valve • Remove the air from the pipe • Check the input and output pressure on the solenoid valve • Check the cleanness of inlet tube and fan blades
Ignition cycle is finished normally	Appliance does not operate after the more ignition cycles	<ul style="list-style-type: none"> • Solenoid valve went wrong • Differential switch went wrong • Uncertain connection between ignition module and automatic control • Nozzle pressure is not suitable • Necessary air flow for burning is not suitable 	<ul style="list-style-type: none"> • Replace the solenoid valve • Replace the differential switch • Check the electrical connection • Check the input and output pressure on the solenoid valve • Check the cleanness of inlet tube and fan blades
	The gas burner ignites but stops soon	<ul style="list-style-type: none"> • The phase and null are replaced • The nozzle pressure is not suitable • The air for combustion is not sufficient • Differential pressure switch switches back to rest 	<ul style="list-style-type: none"> • Check the wires connection points • Check the input and output pressure on the solenoid valve • Check the cleanness of inlet tube and fan blades • Check cleanness of burner tube, radiant heat tubes and flue pipe system and clean it if necessary
	Appliance operates but the combustion is uneven and noisier than it should be	<ul style="list-style-type: none"> • The turbulator is not placed into the last heat radiant tube 	<ul style="list-style-type: none"> • Check the presence of the turbulator

11. ENCLOSURE

ENCLOSURE 1.: VARIETY-LIST OF ZENIT-TYPE TUBE RADIANT HEATERS

The radiant tube length included the length of the reduction element (L-form) and the length of the u-element (u-form)

The whole appliance length is calculated with the length of radiant tube and the length of burner (0,57 meter)

The L-form tube radiant heater is linear, and the U-form tube radiant heater is U-form

Type (input power)	L6	U3	L9	U4,5	L12	U6	L15	U7,5	L18	U9	L21	U10,5
	5,97 m	3,2 m	8,89 m	4,7 m	11,82 m	6,12 m	14,74 m	7,62 m	17,67 m	9,05 m	20,59 m	10,55 m
ZENIT-12 (12,6)	x	x	-	-	-	-	-	-	-	-	-	-
ZENIT-14 (14,1)	x	x	-	-	-	-	-	-	-	-	-	-
ZENIT-16 (15,8)	x	x	x	x	-	-	-	-	-	-	-	-
ZENIT-18 (18,3)	x	x	x	x	-	-	-	-	-	-	-	-
ZENIT-20 (19,8)	x	x	x	x	-	-	-	-	-	-	-	-
ZENIT-22 (22,7)	-	-	x	x	x	x	-	-	-	-	-	-
ZENIT-24 (24,4)	-	-	x	x	x	x	-	-	-	-	-	-
ZENIT-26 (26,2)	-	-	x	x	x	x	-	-	-	-	-	-
ZENIT-28 (28,2)	-	-	x	x	x	x	x	x	-	-	-	-
ZENIT-30 (30,6)	-	-	-	-	x	x	x	x	-	-	-	-
ZENIT-32 (31,9)	-	-	-	-	x	x	x	x	-	-	-	-
ZENIT-34 (34,6)	-	-	-	-	x	x	x	x	x	x	-	-
ZENIT-36 (36,5)	-	-	-	-	x	x	x	x	x	x	-	-
ZENIT-38 (38,1)	-	-	-	-	-	-	x	x	x	x	x	x
ZENIT-40 (39,6)	-	-	-	-	-	-	x	x	x	x	x	x
ZENIT-42 (42,8)	-	-	-	-	-	-	x	x	x	x	x	x
ZENIT-44 (44,6)	-	-	-	-	-	-	x	x	x	x	x	x
ZENIT-46 (46)	-	-	-	-	-	-	x	x	x	x	x	x
ZENIT-48 (48,1)	-	-	-	-	-	-	-	-	x	x	x	x
ZENIT-50 (49,8)	-	-	-	-	-	-	-	-	x	x	x	x
ZENIT-52 (51,9)	-	-	-	-	-	-	-	-	-	-	x	x
ZENIT-54 (54,1)	-	-	-	-	-	-	-	-	-	-	x	x
ZENIT-56 (55,9)	-	-	-	-	-	-	-	-	-	-	x	x
ZENIT-58 (58,3)	-	-	-	-	-	-	-	-	-	-	x	x

ENCLOSURE 2.: HEATING AND CONSUMPTION VALUES OF ZENIT-TYPE TUBE RADIANT HEATERS

Type	Input power	Gas consumption		
		[m ³ /h]	[kg/h]	
	[kW]	Natural gas	PB	Propan
ZENIT-12	12,6	1,32	1,05	1,02
ZENIT-14	14,1	1,48	1,18	1,14
ZENIT-16	15,8	1,66	1,32	1,28
ZENIT-18	18,3	1,92	1,53	1,48
ZENIT-20	19,8	2,08	1,65	1,6
ZENIT-22	22,7	2,38	1,9	1,83
ZENIT-24	24,4	2,56	2,04	1,97
ZENIT-26	26,2	2,75	2,19	2,12
ZENIT-28	28,2	2,96	2,36	2,28
ZENIT-30	30,6	3,21	2,56	2,47
ZENIT-32	31,9	3,35	2,67	2,58
ZENIT-34	34,6	3,63	2,89	2,8
ZENIT-36	36,5	3,83	3,05	2,95
ZENIT-38	38,1	4,00	3,18	3,08
ZENIT-40	39,6	4,16	3,31	3,2
ZENIT-42	42,8	4,49	3,58	3,46
ZENIT-44	44,6	4,68	3,73	3,61
ZENIT-46	46	4,83	3,84	3,72
ZENIT-48	48,1	5,05	4,02	3,89
ZENIT-50	49,8	5,23	4,16	4,03
ZENIT-52	51,9	5,45	4,34	4,2
ZENIT-54	54,1	5,68	4,52	4,37
ZENIT-56	55,9	5,87	4,67	4,52
ZENIT-58	58,3	6,12	4,87	4,71

ENCLOSURE 3.: HEATING AND CONSUMPTION VALUES OF ZENIT-TYPE TUBE RADIANT HEATERS (ON-50%-OFF (3POINT); ON-50%...100%-OFF (MODULATION))

Type	Input power	Gas consumption		
		[m ³ /h]	[kg/h]	
	[kW]	Natural gas	PB	Propan
ZENIT-12	12,6...8,9	1,32...0,93	1,05...0,74	1,02...0,72
ZENIT-14	14,1...9,9	1,48...1,04	1,18...0,83	1,14...0,8
ZENIT-16	15,8...10,6	1,66...1,11	1,32...0,89	1,28...0,86
ZENIT-18	18,3...11,6	1,92...1,22	1,53...0,97	1,48...0,94
ZENIT-20	19,8...12,6	2,08...1,32	1,65...1,05	1,6...1,02
ZENIT-22	22,7...12,8	2,38...1,34	1,9...1,07	1,83...1,03
ZENIT-24	24,4...14,8	2,56...1,55	2,04...1,24	1,97...1,2
ZENIT-26	26,2...15,9	2,75...1,67	2,19...1,33	2,12...1,29
ZENIT-28	28,2...16,3	2,96...1,71	2,36...1,36	2,28...1,32
ZENIT-30	30,6...17,1	3,21...1,8	2,56...1,43	2,47...1,38
ZENIT-32	31,9...20,1	3,35...2,11	2,67...1,68	2,58...1,62
ZENIT-34	34,6...21,1	3,63...2,22	2,89...1,76	2,8...1,71
ZENIT-36	36,5...22,7	3,83...2,38	3,05...1,9	2,95...1,83
ZENIT-38	38,1...23,2	4...2,44	3,18...1,94	3,08...1,88
ZENIT-40	39,6...24,1	4,16...2,53	3,31...2,01	3,2...1,95
ZENIT-42	42,8...25,1	4,49...2,64	3,58...2,1	3,46...2,03
ZENIT-44	44,6...27,6	4,68...2,9	3,73...2,31	3,61...2,23
ZENIT-46	46...28,7	4,83...3,01	3,84...2,4	3,72...2,32
ZENIT-48	48,1...31,2	5,05...3,28	4,02...2,61	3,89...2,52
ZENIT-50	49,8...34,6	5,23...3,63	4,16...2,89	4,03...2,8
ZENIT-52	51,9...35,2	5,45...3,7	4,34...2,94	4,2...2,85
ZENIT-54	54,1...36,1	5,68...3,79	4,52...3,02	4,37...2,92
ZENIT-56	55,9...37,5	5,87...3,94	4,67...3,13	4,52...3,03
ZENIT-58	58,3...38,1	6,12...4	4,87...3,18	4,71...3,08

Model: **ZENIT 6m „L” Gas-fired overhead radiant tube heaters Linear shape**

Type of heating:		Radiant tube				
Fuel:	Gaseous	Type of fuel:	Natural Gas	Propane	Butane	Propane-Butane
Space heating emission NO _x				138,8	mg/kWh _{input} (GCV)	

Characteristics when operating with the preferred fuel only

Item	Symbol	Value	Unit	Item	Symbol	Value	Unit
Heat output				Useful efficiency - GCV			
Nominal heat output	P_{nom}	21,9	kW	Useful efficiency at nominal heat output	$\eta_{th,nom}$	82,41	%
Minimum heat output	P_{min}	14,0	kW	Useful efficiency at minimum heat output	$\eta_{th,min}$	81,19	%
Minimum heat output - as percentage of nominal heat output	--	63,8	%				
Radiant factor				Envelop losses			
Radiant factor at nominal heat output	RF_{nom}	50,7	%	Envelope insulation class	U	0,0	W/m ² K
Radiant factor at minimum heat output	RF_{min}	48,6	%	Envelope loss factor	F_{env}	0,0	%
Regulation (EU) 2015/1188				Heat generator to be installed outside the heated area	Yes	No	<u>Possible</u>
Auxiliary electricity consumption				Heat output controll type			
At Nominal heat output	el_{max}	0,095	kW	- Singl stage (ON-OFF)	<u>Yes</u>	No	
At minimum heat output	el_{min}	0,061	kW	- Two stage (100%-60%-OFF)	<u>Yes</u>	No	
In standby mode	el_{sb}	0,0	kW	- Modulated	<u>Yes</u>	No	
Permanent pilot flame power requirement							
Pilot flame power requirement (if applicable)	P_{pilot}	0,0	kW				
Contact details	PAKOLE Trade Kft. H-8000, Székesfehérvár, Börgöndi út, 8-10						

Model: ZENIT 9m „L” Gas-fired overhead radiant tube heaters Linear shape

Type of heating:		Radiant tube				
Fuel:	Gaseous	Type of fuel:	Natural Gas	Propane	Butane	Propane-Butane
Space heating emission NO _x				129,7	mg/kWh _{input} (GCV)	

Characteristics when operating with the preferred fuel only

Item	Symbol	Value	Unit	Item	Symbol	Value	Unit
Heat output				Useful efficiency - GCV			
Nominal heat output	P_{nom}	31,3	kW	Useful efficiency at nominal heat output	$\eta_{th,nom}$	82,72	%
Minimum heat output	P_{min}	19,2	kW	Useful efficiency at minimum heat output	$\eta_{th,min}$	81,39	%
Minimum heat output - as percentage of nominal heat output	--	61,3	%				
Radiant factor				Envelop losses			
Radiant factor at nominal heat output	RF_{nom}	51,2	%	Envelope insulation class	U	0,0	W/m ² K
Radiant factor at minimum heat output	RF_{min}	49,4	%	Envelope loss factor	F_{env}	0,0	%
Regulation (EU) 2015/1188				Heat generator to be installed outside the heated area	Yes	No	<u>Possible</u>
Auxiliary electricity consumption				Heat output controll type			
At Nominal heat output	el_{max}	0,10	kW	- Singl stage (ON-OFF)	<u>Yes</u>	No	
At minimum heat output	el_{min}	0,06	kW	- Two stage (100%-60%-OFF)	<u>Yes</u>	No	
In standby mode	el_{sb}	0,0	kW	- Modulated	<u>Yes</u>	No	
Permanent pilot flame power requirement							
Pilot flame power requirement (if applicable)	P_{pilot}	0,0	kW				
Contact details	PAKOLE Trade Kft. H-8000, Székesfehérvár, Börgöndi út, 8-10						

Model: **ZENIT 12m „L” Gas-fired overhead radiant tube heaters Linear shape**

Type of heating:		Radiant tube				
Fuel:	Gaseous	Type of fuel:	Natural Gas	Propane	Butane	Propane-Butane
Space heating emission NO _x				152,0	mg/kWh _{input} (GCV)	

Characteristics when operating with the preferred fuel only

Item	Symbol	Value	Unit	Item	Symbol	Value	Unit
Heat output				Useful efficiency - GCV			
Nominal heat output	P_{nom}	40,5	kW	Useful efficiency at nominal heat output	$\eta_{th,nom}$	82,62	%
Minimum heat output	P_{min}	25,2	kW	Useful efficiency at minimum heat output	$\eta_{th,min}$	81,57	%
Minimum heat output - as percentage of nominal heat output	--	62,3	%				
Radiant factor				Envelop losses			
Radiant factor at nominal heat output	RF_{nom}	52,7	%	Envelope insulation class	U	0,0	W/m ² K
Radiant factor at minimum heat output	RF_{min}	50,2	%	Envelope loss factor	F_{env}	0,0	%
Regulation (EU) 2015/1188				Heat generator to be installed outside the heated area	Yes	No	<u>Possible</u>
Auxiliary electricity consumption				Heat output control type			
At Nominal heat output	el_{max}	0,10	kW	- Singl stage (ON-OFF)	<u>Yes</u>	No	
At minimum heat output	el_{min}	0,06	kW	- Two stage (100%-60%-OFF)	<u>Yes</u>	No	
In standby mode	el_{sb}	0,0	kW	- Modulated	<u>Yes</u>	No	
Permanent pilot flame power requirement							
Pilot flame power requirement (if applicable)	P_{pilot}	0,0	kW				
Contact details	PAKOLE Trade Kft. H-8000, Székesfehérvár, Börgöndi út, 8-10						

Model: **ZENIT 15m „L” Gas-fired overhead radiant tube heaters Linear shape**

Type of heating:		Radiant tube				
Fuel:	Gaseous	Type of fuel:	Natural Gas	Propane	Butane	Propane-Butane
Space heating emission NO _x				139,0	mg/kWh _{input} (GCV)	

Characteristics when operating with the preferred fuel only

Item	Symbol	Value	Unit	Item	Symbol	Value	Unit
Heat output				Useful efficiency - GCV			
Nominal heat output	P_{nom}	51,0	kW	Useful efficiency at nominal heat output	$\eta_{th,nom}$	83,12	%
Minimum heat output	P_{min}	31,9	kW	Useful efficiency at minimum heat output	$\eta_{th,min}$	81,84	%
Minimum heat output - as percentage of nominal heat output	--	62,5	%				
Radiant factor				Envelop losses			
Radiant factor at nominal heat output	RF_{nom}	54,6	%	Envelope insulation class	U	0,0	W/m ² K
Radiant factor at minimum heat output	RF_{min}	52,3	%	Envelope loss factor	F_{env}	0,0	%
Regulation (EU) 2015/1188				Heat generator to be installed outside the heated area	Yes	No	<u>Possible</u>
Auxiliary electricity consumption				Heat output control type			
At Nominal heat output	el_{max}	0,10	kW	- Singl stage (ON-OFF)	<u>Yes</u>	No	
At minimum heat output	el_{min}	0,06	kW	- Two stage (100%-60%-OFF)	<u>Yes</u>	No	
In standby mode	el_{sb}	0,0	kW	- Modulated	<u>Yes</u>	No	
Permanent pilot flame power requirement							
Pilot flame power requirement (if applicable)	P_{pilot}	0,0	kW				
Contact details	PAKOLE Trade Kft. H-8000, Székesfehérvár, Börgöndi út, 8-10						

Model: ZENIT 18m „L” Gas-fired overhead radiant tube heaters Linear shape

Type of heating:		Radiant tube				
Fuel:	Gaseous	Type of fuel:	Natural Gas	Propane	Butane	Propane-Butane
Space heating emission NO _x				152,9	mg/kWh _{input} (GCV)	

Characteristics when operating with the preferred fuel only

Item	Symbol	Value	Unit	Item	Symbol	Value	Unit
Heat output				Useful efficiency - GCV			
Nominal heat output	P_{nom}	55,3	kW	Useful efficiency at nominal heat output	$\eta_{th,nom}$	83,34	%
Minimum heat output	P_{min}	38,4	kW	Useful efficiency at minimum heat output	$\eta_{th,min}$	81,60	%
Minimum heat output - as percentage of nominal heat output	--	69,5	%				
Radiant factor				Envelop losses			
Radiant factor at nominal heat output	RF_{nom}	55,3	%	Envelope insulation class	U	0,0	W/m ² K
Radiant factor at minimum heat output	RF_{min}	53,4	%	Envelope loss factor	F_{env}	0,0	%
Regulation (EU) 2015/1188				Heat generator to be installed outside the heated area	Yes	No	<u>Possible</u>
Auxiliary electricity consumption				Heat output control type			
At Nominal heat output	el_{max}	0,10	kW	- Singl stage (ON-OFF)	<u>Yes</u>	No	
At minimum heat output	el_{min}	0,06	kW	- Two stage (100%-60%-OFF)	<u>Yes</u>	No	
In standby mode	el_{sb}	0,0	kW	- Modulated	<u>Yes</u>	No	
Permanent pilot flame power requirement							
Pilot flame power requirement (if applicable)	P_{pilot}	0,0	kW				
Contact details	PAKOLE Trade Kft. H-8000, Székesfehérvár, Börgöndi út, 8-10						

Model: **ZENIT 21m „L” Gas-fired overhead radiant tube heaters Linear shape**

Type of heating:		Radiant tube				
Fuel:	Gaseous	Type of fuel:	Natural Gas	Propane	Butane	Propane-Butane
Space heating emission NO _x				159,3	mg/kWh _{input} (GCV)	

Characteristics when operating with the preferred fuel only

Item	Symbol	Value	Unit	Item	Symbol	Value	Unit
Heat output				Useful efficiency - GCV			
Nominal heat output	P_{nom}	64,7	kW	Useful efficiency at nominal heat output	$\eta_{th,nom}$	83,14	%
Minimum heat output	P_{min}	42,3	kW	Useful efficiency at minimum heat output	$\eta_{th,min}$	82,08	%
Minimum heat output - as percentage of nominal heat output	--	65,4	%				
Radiant factor				Envelop losses			
Radiant factor at nominal heat output	RF_{nom}	56,5	%	Envelope insulation class	U	0,0	W/m ² K
Radiant factor at minimum heat output	RF_{min}	53,9	%	Envelope loss factor	F_{env}	0,0	%
Regulation (EU) 2015/1188				Heat generator to be installed outside the heated area	Yes	No	<u>Possible</u>
Auxiliary electricity consumption				Heat output control type			
At Nominal heat output	el_{max}	0,10	kW	- Singl stage (ON-OFF)	<u>Yes</u>	No	
At minimum heat output	el_{min}	0,06	kW	- Two stage (100%-60%-OFF)	<u>Yes</u>	No	
In standby mode	el_{sb}	0,0	kW	- Modulated	<u>Yes</u>	No	
Permanent pilot flame power requirement							
Pilot flame power requirement (if applicable)	P_{pilot}	0,0	kW				
Contact details	PAKOLE Trade Kft. H-8000, Székesfehérvár, Börgöndi út, 8-10						

Model: **ZENIT 3m „U” Gas-fired overhead radiant tube heaters Linear shape**

Type of heating:		Radiant tube				
Fuel:	Gaseous	Type of fuel:	Natural Gas	Propane	Butane	Propane-Butane
Space heating emission NO _x				145,0	mg/kWh _{input} (GCV)	

Characteristics when operating with the preferred fuel only

Item	Symbol	Value	Unit	Item	Symbol	Value	Unit
Heat output				Useful efficiency - GCV			
Nominal heat output	P_{nom}	21,9	kW	Useful efficiency at nominal heat output	$\eta_{th,nom}$	82,10	%
Minimum heat output	P_{min}	14,0	kW	Useful efficiency at minimum heat output	$\eta_{th,min}$	80,85	%
Minimum heat output - as percentage of nominal heat output	--	63,8	%				
Radiant factor				Envelop losses			
Radiant factor at nominal heat output	RF_{nom}	52,4	%	Envelope insulation class	U	0,0	W/m ² K
Radiant factor at minimum heat output	RF_{min}	50,3	%	Envelope loss factor	F_{env}	0,0	%
Regulation (EU) 2015/1188				Heat generator to be installed outside the heated area	Yes	No	<u>Possible</u>
Auxiliary electricity consumption				Heat output control type			
At Nominal heat output	el_{max}	0,10	kW	- Singl stage (ON-OFF)	<u>Yes</u>	No	
At minimum heat output	el_{min}	0,06	kW	- Two stage (100%-60%-OFF)	<u>Yes</u>	No	
In standby mode	el_{sb}	0,0	kW	- Modulated	<u>Yes</u>	No	
Permanent pilot flame power requirement							
Pilot flame power requirement (if applicable)	P_{pilot}	0,0	kW				
Contact details	PAKOLE Trade Kft. H-8000, Székesfehérvár, Börgöndi út, 8-10						

Model: **ZENIT 4,5m „U” Gas-fired overhead radiant tube heaters Linear shape**

Type of heating:		Radiant tube				
Fuel:	Gaseous	Type of fuel:	Natural Gas	Propane	Butane	Propane-Butane
Space heating emission NO _x				131,5	mg/kWh _{input} (GCV)	

Characteristics when operating with the preferred fuel only

Item	Symbol	Value	Unit	Item	Symbol	Value	Unit
Heat output				Useful efficiency - GCV			
Nominal heat output	P_{nom}	31,3	kW	Useful efficiency at nominal heat output	$\eta_{th,nom}$	82,30	%
Minimum heat output	P_{min}	19,2	kW	Useful efficiency at minimum heat output	$\eta_{th,min}$	81,10	%
Minimum heat output - as percentage of nominal heat output	--	61,3	%				
Radiant factor				Envelop losses			
Radiant factor at nominal heat output	RF_{nom}	53,3	%	Envelope insulation class	U	0,0	W/m ² K
Radiant factor at minimum heat output	RF_{min}	50,6	%	Envelope loss factor	F_{env}	0,0	%
Regulation (EU) 2015/1188				Heat generator to be installed outside the heated area	Yes	No	<u>Possible</u>
Auxiliary electricity consumption				Heat output control type			
At Nominal heat output	el_{max}	0,10	kW	- Singl stage (ON-OFF)	<u>Yes</u>	No	
At minimum heat output	el_{min}	0,06	kW	- Two stage (100%-60%-OFF)	<u>Yes</u>	No	
In standby mode	el_{sb}	0,0	kW	- Modulated	<u>Yes</u>	No	
Permanent pilot flame power requirement							
Pilot flame power requirement (if applicable)	P_{pilot}	0,0	kW				
Contact details	PAKOLE Trade Kft. H-8000, Székesfehérvár, Börgöndi út, 8-10						

Model: **ZENIT 6m „U” Gas-fired overhead radiant tube heaters Linear shape**

Type of heating:		Radiant tube				
Fuel:	Gaseous	Type of fuel:	Natural Gas	Propane	Butane	Propane-Butane
Space heating emission NO _x				139,7	mg/kWh _{input} (GCV)	

Characteristics when operating with the preferred fuel only

Item	Symbol	Value	Unit	Item	Symbol	Value	Unit
Heat output				Useful efficiency - GCV			
Nominal heat output	P_{nom}	40,5	kW	Useful efficiency at nominal heat output	$\eta_{th,nom}$	82,62	%
Minimum heat output	P_{min}	25,2	kW	Useful efficiency at minimum heat output	$\eta_{th,min}$	81,30	%
Minimum heat output - as percentage of nominal heat output	--	62,3	%				
Radiant factor				Envelop losses			
Radiant factor at nominal heat output	RF_{nom}	54,4	%	Envelope insulation class	U	0,0	W/m ² K
Radiant factor at minimum heat output	RF_{min}	51,7	%	Envelope loss factor	F_{env}	0,0	%
Regulation (EU) 2015/1188				Heat generator to be installed outside the heated area	Yes	No	<u>Possible</u>
Auxiliary electricity consumption				Heat output control type			
At Nominal heat output	el_{max}	0,10	kW	- Singl stage (ON-OFF)	<u>Yes</u>	No	
At minimum heat output	el_{min}	0,06	kW	- Two stage (100%-60%-OFF)	<u>Yes</u>	No	
In standby mode	el_{sb}	0,0	kW	- Modulated	<u>Yes</u>	No	
Permanent pilot flame power requirement							
Pilot flame power requirement (if applicable)	P_{pilot}	0,0	kW				
Contact details	PAKOLE Trade Kft. H-8000, Székesfehérvár, Börgöndi út, 8-10						

Model: **ZENIT 7,5m „U” Gas-fired overhead radiant tube heaters Linear shape**

Type of heating:		Radiant tube				
Fuel:	Gaseous	Type of fuel:	Natural Gas	Propane	Butane	Propane-Butane
Space heating emission NO _x				153,2	mg/kWh _{input} (GCV)	

Characteristics when operating with the preferred fuel only

Item	Symbol	Value	Unit	Item	Symbol	Value	Unit
Heat output				Useful efficiency - GCV			
Nominal heat output	P_{nom}	51,0	kW	Useful efficiency at nominal heat output	$\eta_{th,nom}$	82,92	%
Minimum heat output	P_{min}	31,9	kW	Useful efficiency at minimum heat output	$\eta_{th,min}$	81,50	%
Minimum heat output - as percentage of nominal heat output	--	62,5	%				
Radiant factor				Envelop losses			
Radiant factor at nominal heat output	RF_{nom}	55,9	%	Envelope insulation class	U	0,0	W/m ² K
Radiant factor at minimum heat output	RF_{min}	52,7	%	Envelope loss factor	F_{env}	0,0	%
Regulation (EU) 2015/1188				Heat generator to be installed outside the heated area	Yes	No	<u>Possible</u>
Auxiliary electricity consumption				Heat output control type			
At Nominal heat output	el_{max}	0,10	kW	- Singl stage (ON-OFF)	<u>Yes</u>	No	
At minimum heat output	el_{min}	0,06	kW	- Two stage (100%-60%-OFF)	<u>Yes</u>	No	
In standby mode	el_{sb}	0,0	kW	- Modulated	<u>Yes</u>	No	
Permanent pilot flame power requirement							
Pilot flame power requirement (if applicable)	P_{pilot}	0,0	kW				
Contact details	PAKOLE Trade Kft. H-8000, Székesfehérvár, Börgöndi út, 8-10						

Model: **ZENIT 9m „U” Gas-fired overhead radiant tube heaters Linear shape**

Type of heating:		Radiant tube				
Fuel:	Gaseous	Type of fuel:	Natural Gas	Propane	Butane	Propane-Butane
Space heating emission NO _x				157,3	mg/kWh _{input} (GCV)	

Characteristics when operating with the preferred fuel only

Item	Symbol	Value	Unit	Item	Symbol	Value	Unit
Heat output				Useful efficiency - GCV			
Nominal heat output	P_{nom}	55,3	kW	Useful efficiency at nominal heat output	$\eta_{th,nom}$	82,94	%
Minimum heat output	P_{min}	38,4	kW	Useful efficiency at minimum heat output	$\eta_{th,min}$	81,40	%
Minimum heat output - as percentage of nominal heat output	--	69,5	%				
Radiant factor				Envelop losses			
Radiant factor at nominal heat output	RF_{nom}	56,7	%	Envelope insulation class	U	0,0	W/m ² K
Radiant factor at minimum heat output	RF_{min}	53,1	%	Envelope loss factor	F_{env}	0,0	%
Regulation (EU) 2015/1188				Heat generator to be installed outside the heated area	Yes	No	<u>Possible</u>
Auxiliary electricity consumption				Heat output controll type			
At Nominal heat output	el_{max}	0,10	kW	- Singl stage (ON-OFF)	<u>Yes</u>	No	
At minimum heat output	el_{min}	0,06	kW	- Two stage (100%-60%-OFF)	<u>Yes</u>	No	
In standby mode	el_{sb}	0,0	kW	- Modulated	<u>Yes</u>	No	
Permanent pilot flame power requirement							
Pilot flame power requirement (if applicable)	P_{pilot}	0,0	kW				
Contact details	PAKOLE Trade Kft. H-8000, Székesfehérvár, Börgöndi út, 8-10						

Model: **ZENIT 10,5m „U” Gas-fired overhead radiant tube heaters Linear shape**

Type of heating:		Radiant tube				
Fuel:	Gaseous	Type of fuel:	Natural Gas	Propane	Butane	Propane-Butane
Space heating emission NO _x				162,1	mg/kWh _{input} (GCV)	

Characteristics when operating with the preferred fuel only

Item	Symbol	Value	Unit	Item	Symbol	Value	Unit
Heat output				Useful efficiency - GCV			
Nominal heat output	P_{nom}	64,7	kW	Useful efficiency at nominal heat output	$\eta_{th,nom}$	82,74	%
Minimum heat output	P_{min}	42,3	kW	Useful efficiency at minimum heat output	$\eta_{th,min}$	80,97	%
Minimum heat output - as percentage of nominal heat output	--	65,4	%				
Radiant factor				Envelop losses			
Radiant factor at nominal heat output	RF_{nom}	57,6	%	Envelope insulation class	U	0,0	W/m ² K
Radiant factor at minimum heat output	RF_{min}	54,8	%	Envelope loss factor	F_{env}	0,0	%
Regulation (EU) 2015/1188				Heat generator to be installed outside the heated area	Yes	No	<u>Possible</u>
Auxiliary electricity consumption				Heat output control type			
At Nominal heat output	el_{max}	0,10	kW	- Singl stage (ON-OFF)	<u>Yes</u>	No	
At minimum heat output	el_{min}	0,06	kW	- Two stage (100%-60%-OFF)	<u>Yes</u>	No	
In standby mode	el_{sb}	0,0	kW	- Modulated	<u>Yes</u>	No	
Permanent pilot flame power requirement							
Pilot flame power requirement (if applicable)	P_{pilot}	0,0	kW				
Contact details	PAKOLE Trade Kft. H-8000, Székesfehérvár, Börgöndi út, 8-10						

GUARANTEE AND SERVICES

PRESERVE THIS WARRANTY

Type: _____
Serial no.: _____
Date of purchasing: _____

LIMITED GUARANTEE *

The manufacturer guarantee the customer that the product and its parts are free from material and production failures. During normal use the warranty is 2 years. This warranty concerns the first retail customer.

The guarantee concerns the costs of laboratory investigations and the parts, which are needed for proper operation. The delivery and unforeseeable costs belong also to the mending costs and do not contain compensation costs.

Guarantee mending can only be realized by authorized retailer or service centre.

The guarantee does not concern the following failures, which are caused by: improper using, damaging, neglect, accident, lack of maintenance, normal attrition, transformation, modification and operation influenceable factor, contaminated fuel, installation of non-suitable part and mending which is done by not authorized retailer or service station.

The regular maintenance is the owner's responsibility.

The manufacturer does not assume the responsibility in case of accidentally happened or directly caused mistake respectively improper using.

***We reserve the right to change of this specification without extra notification. The guarantee can be applied in accordance with above defined.
Additional guarantee is not accepted.**

Guarantee servicing

If your appliance needs guarantee service in that case it can be requested at nearest authorized service station giving in the appliance for repairs.

Mending services

Take the appliance to the nearest authorized service station. If the device is not under guarantee the service cost will be invoiced to the customer at defined price. The service centres are independent from one another and may have different owners. We reserve the right to change of this specification without extra notification. If you would like to contact us the type and serial number of device

always be at hand. In case of other needed information write to the following address:

PAKOLE TRADE Kft.

H-8000 Székesfehérvár, Börgöndi út 8-10.

Tel.: +36 22 316 484

Fax.: +36 22 316 074



www.pakole.com

PAKOLE TRADE Ipari és Kereskedelmi Kft.

H-8000 Székesfehérvár, Börgöndi út 8-10.

www.pakole.com

E-mail: mail@pakole.hu

Tel.: +36 22 316 484

Fax.: +36 22 316 074